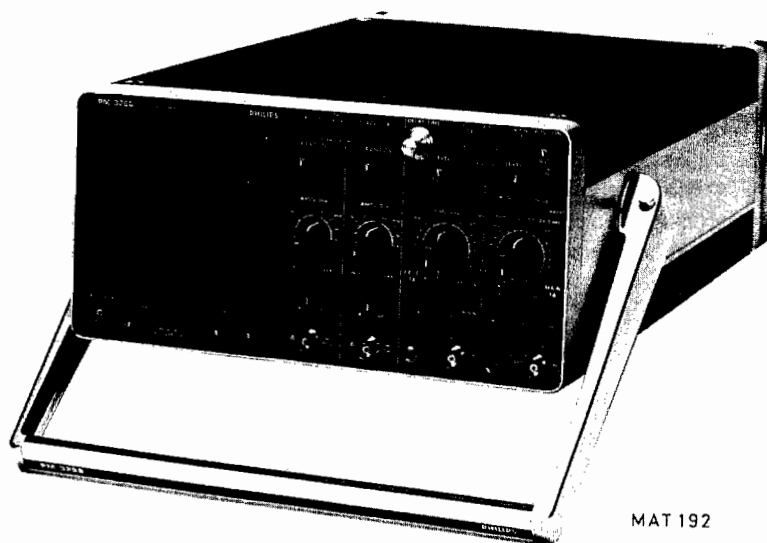


# Portable Storage Oscilloscope PM3266

Instruction Manual/Gerätehandbuch/Notice d'emploi et d'entretien

9499 443 02302  
811130/04/..

---



**PHILIPS**



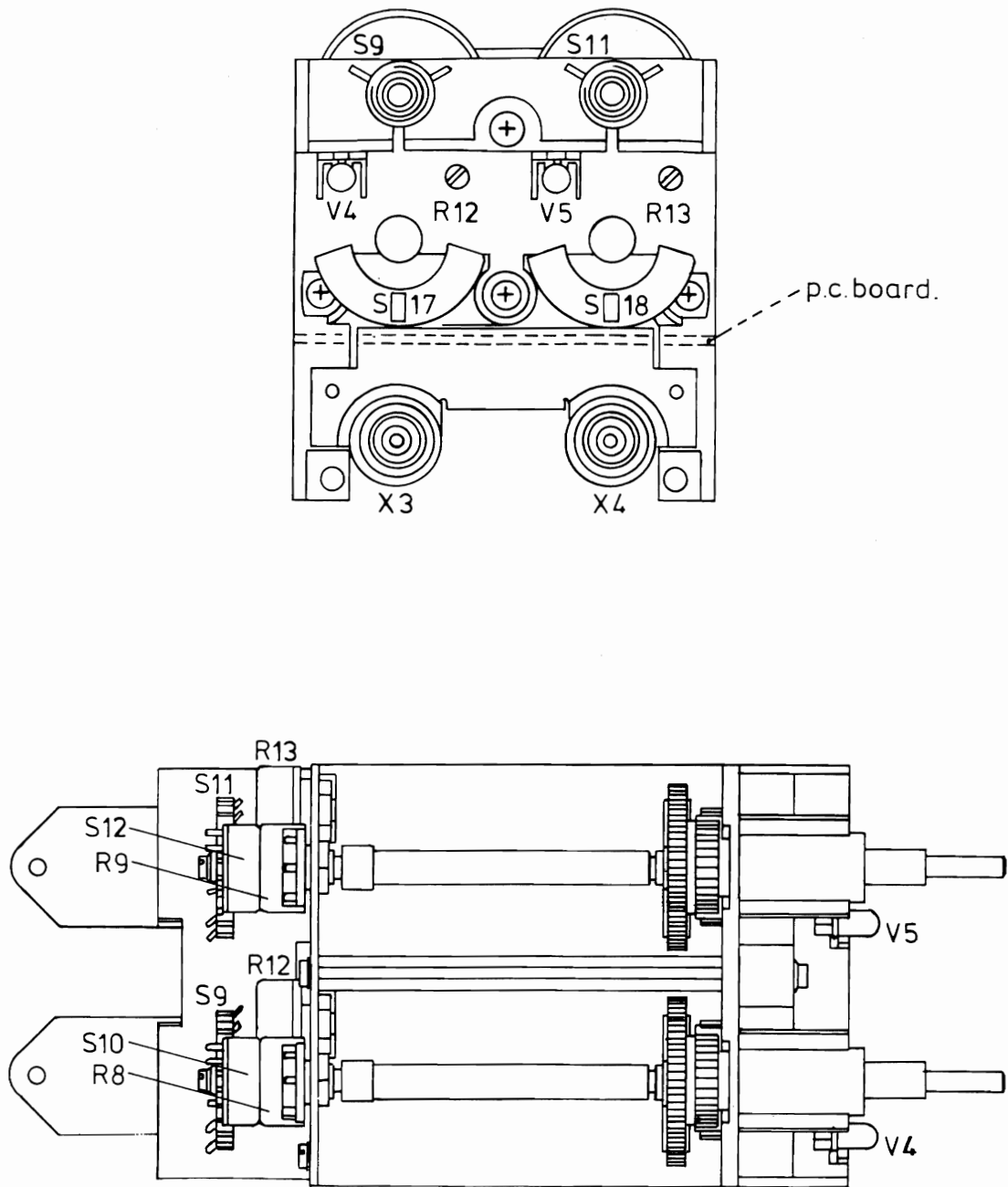


Fig. 12.3. Vertical attenuator (Unit 2), mechanical lay-out

MAT 49

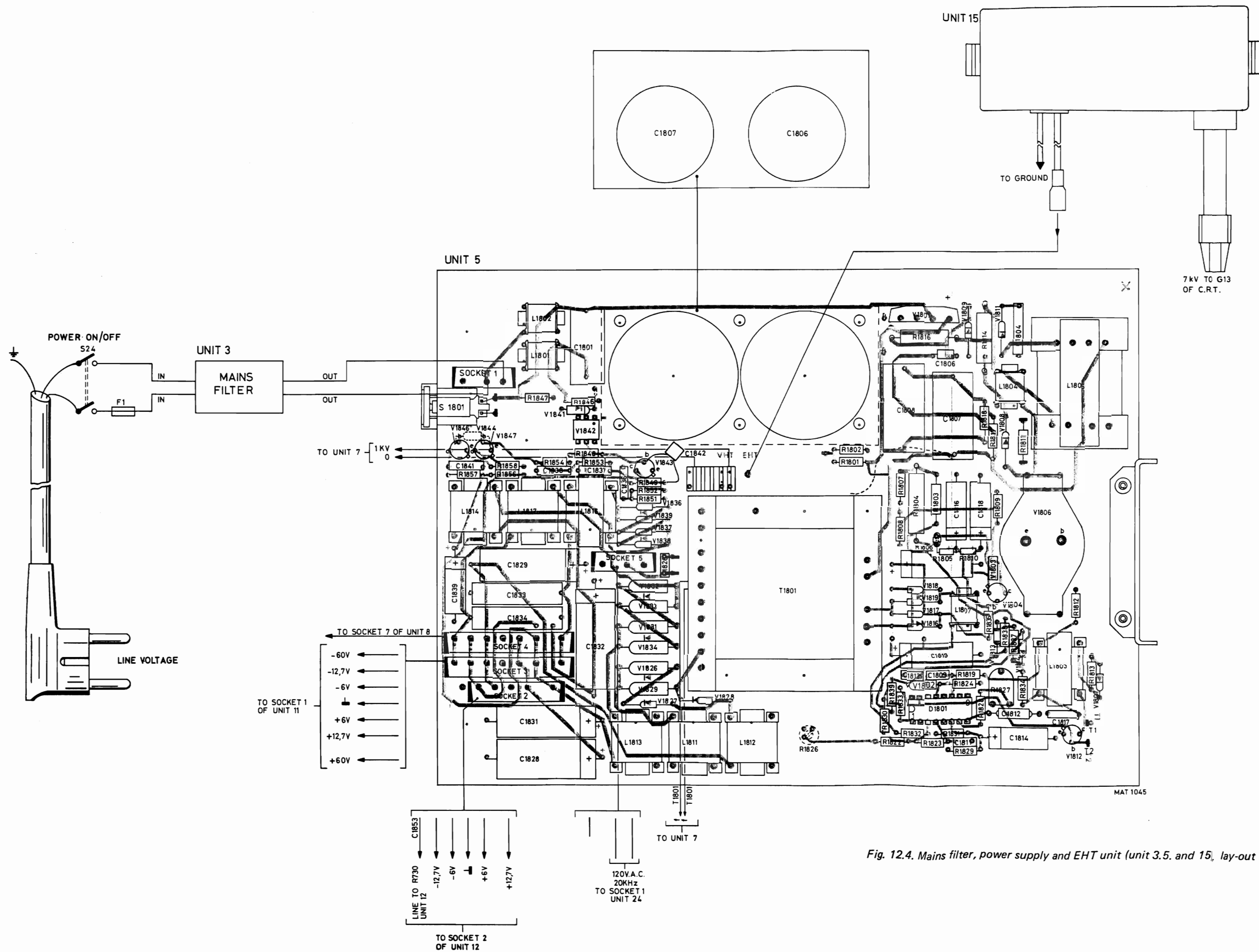


Fig. 12.4. Mains filter, power supply and EHT unit (unit 3.5. and 15), lay-out



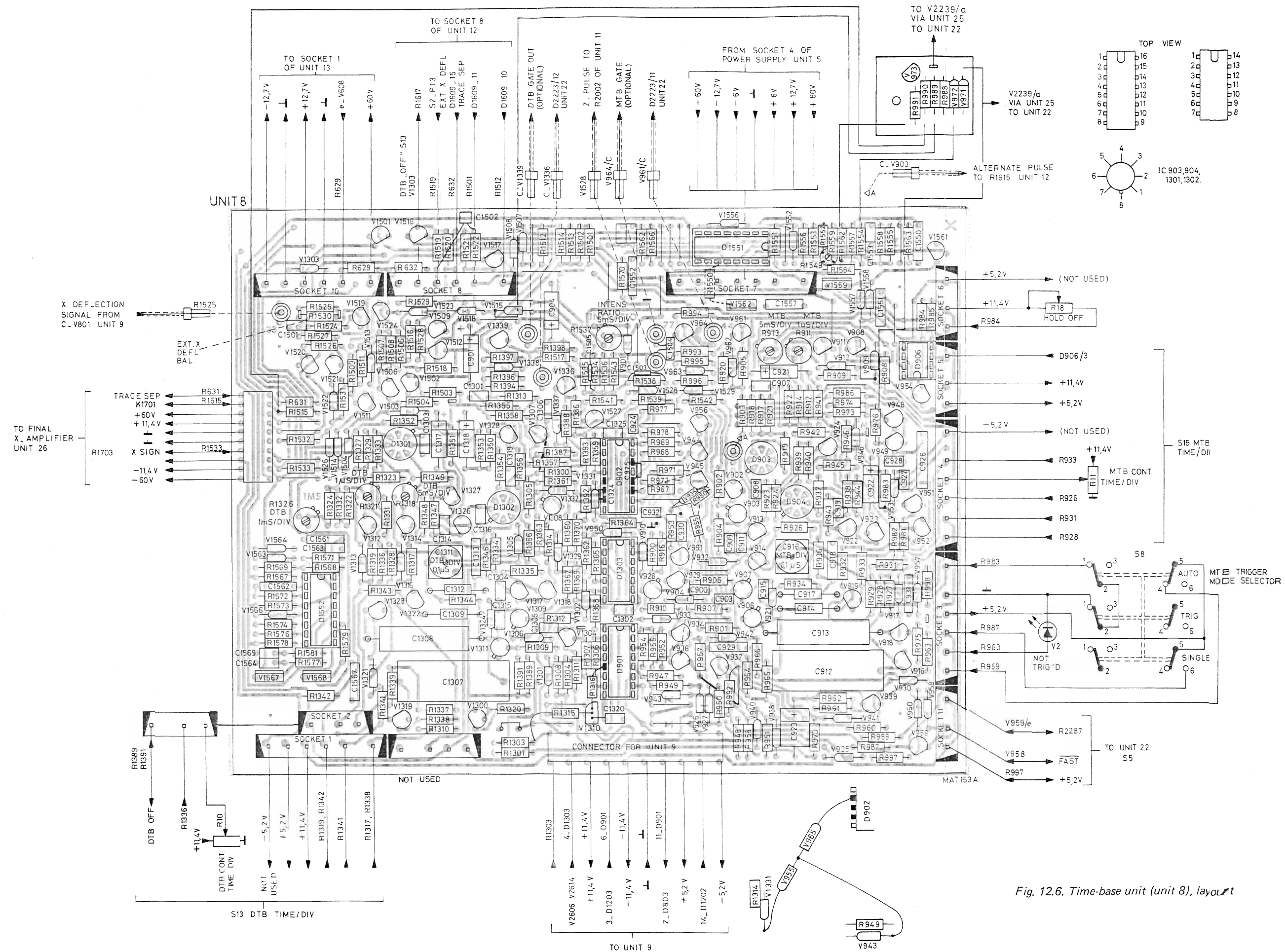


Fig. 12.6. Time-base unit (unit 8), layout



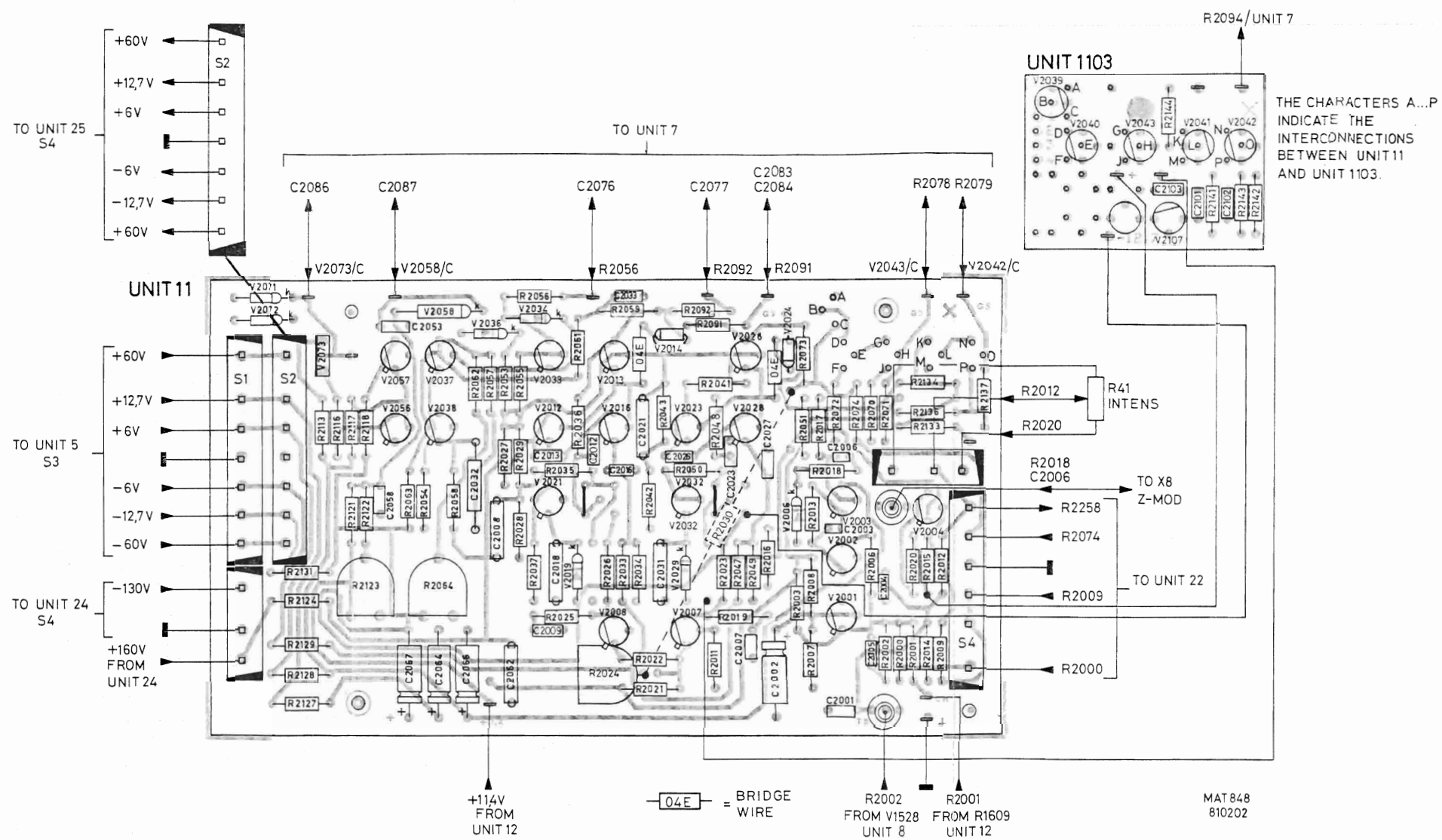


Fig. 12 8. Z-amplifier (unit 11), layout



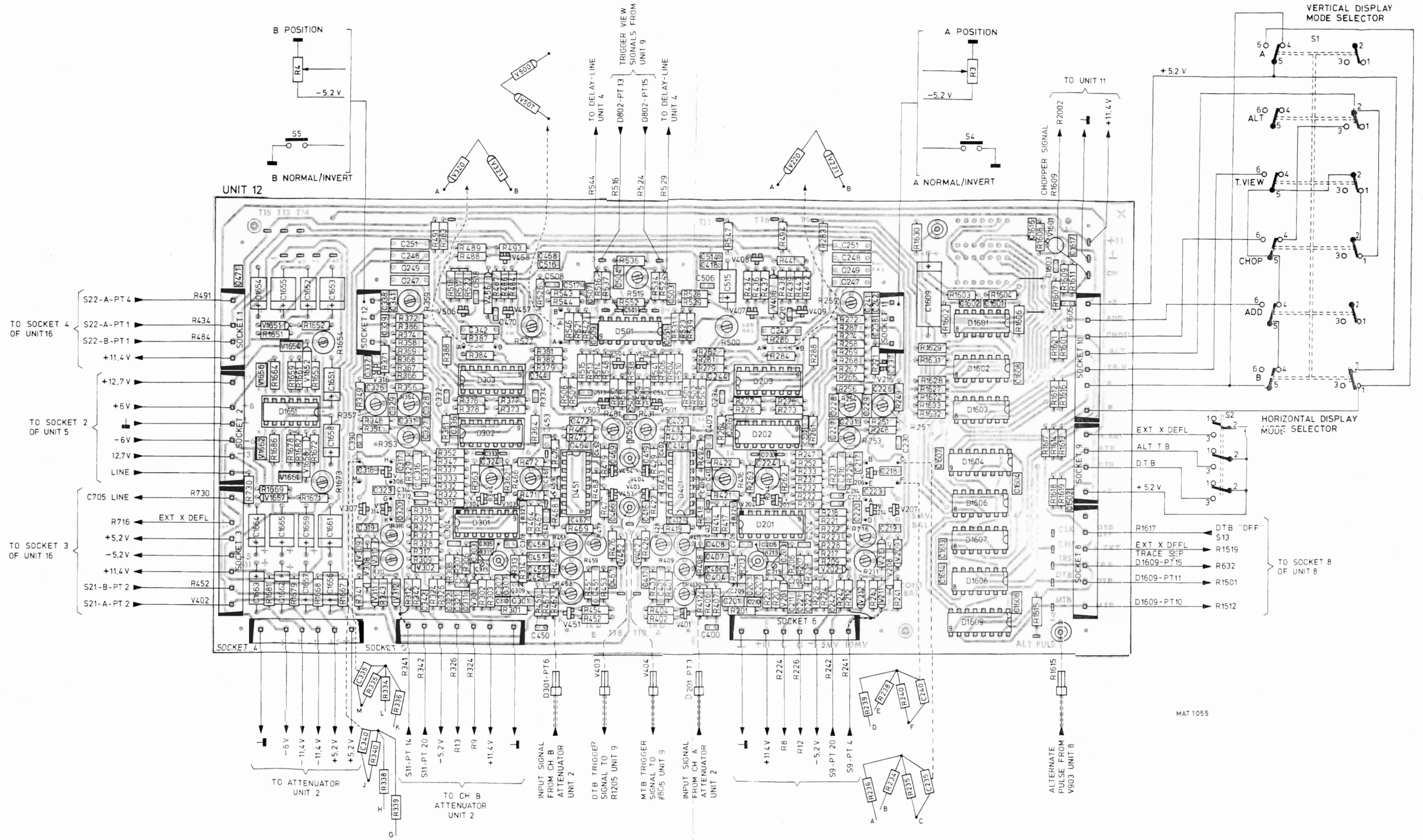


Fig. 12.9. Intermediate amplifier (unit 12), lay-out

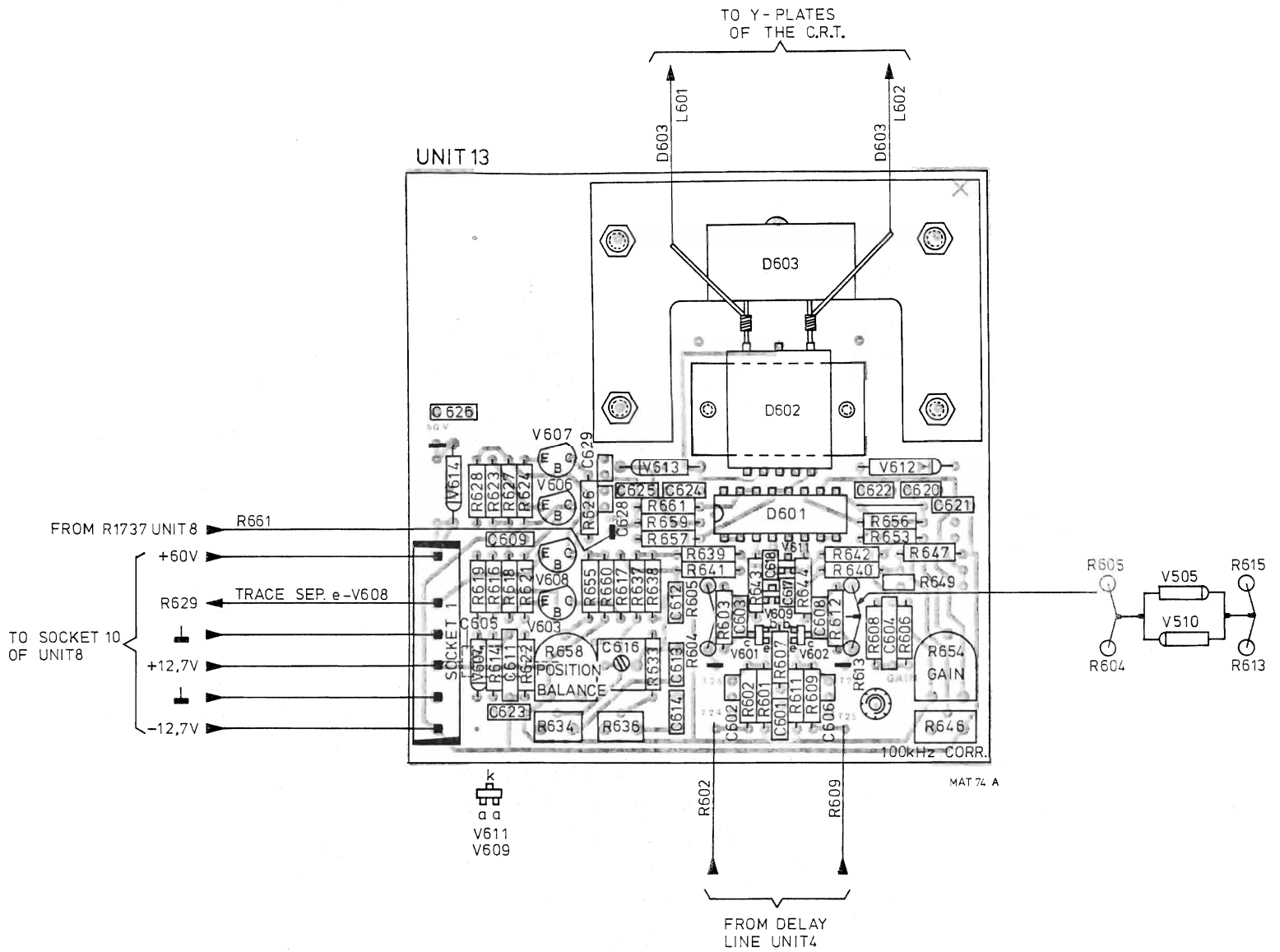


Fig. 12.10. Final Y-amplifier (unit 13), lay-out

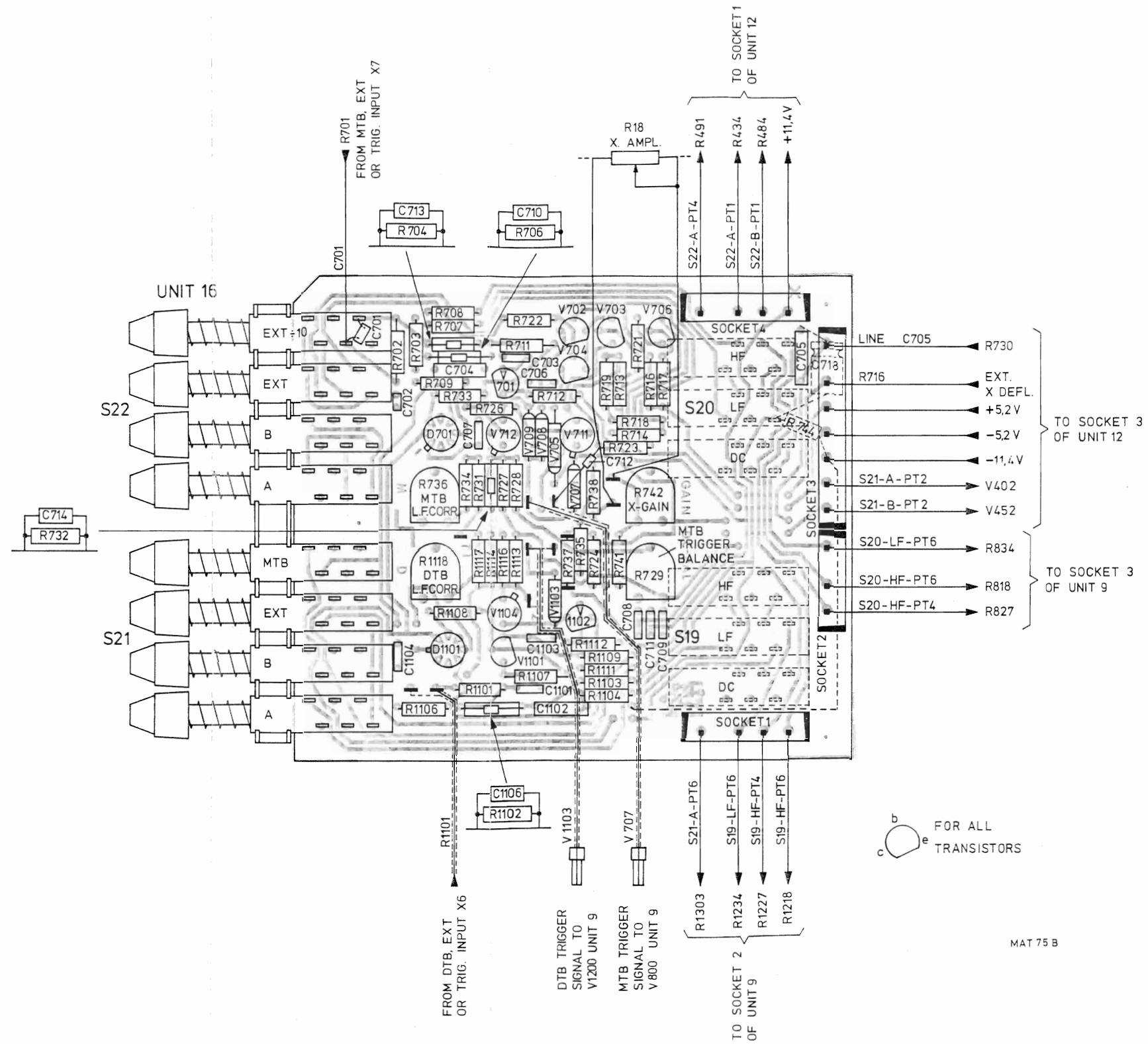


Fig. 12.11. Trigger source unit (unit 16), lay-out

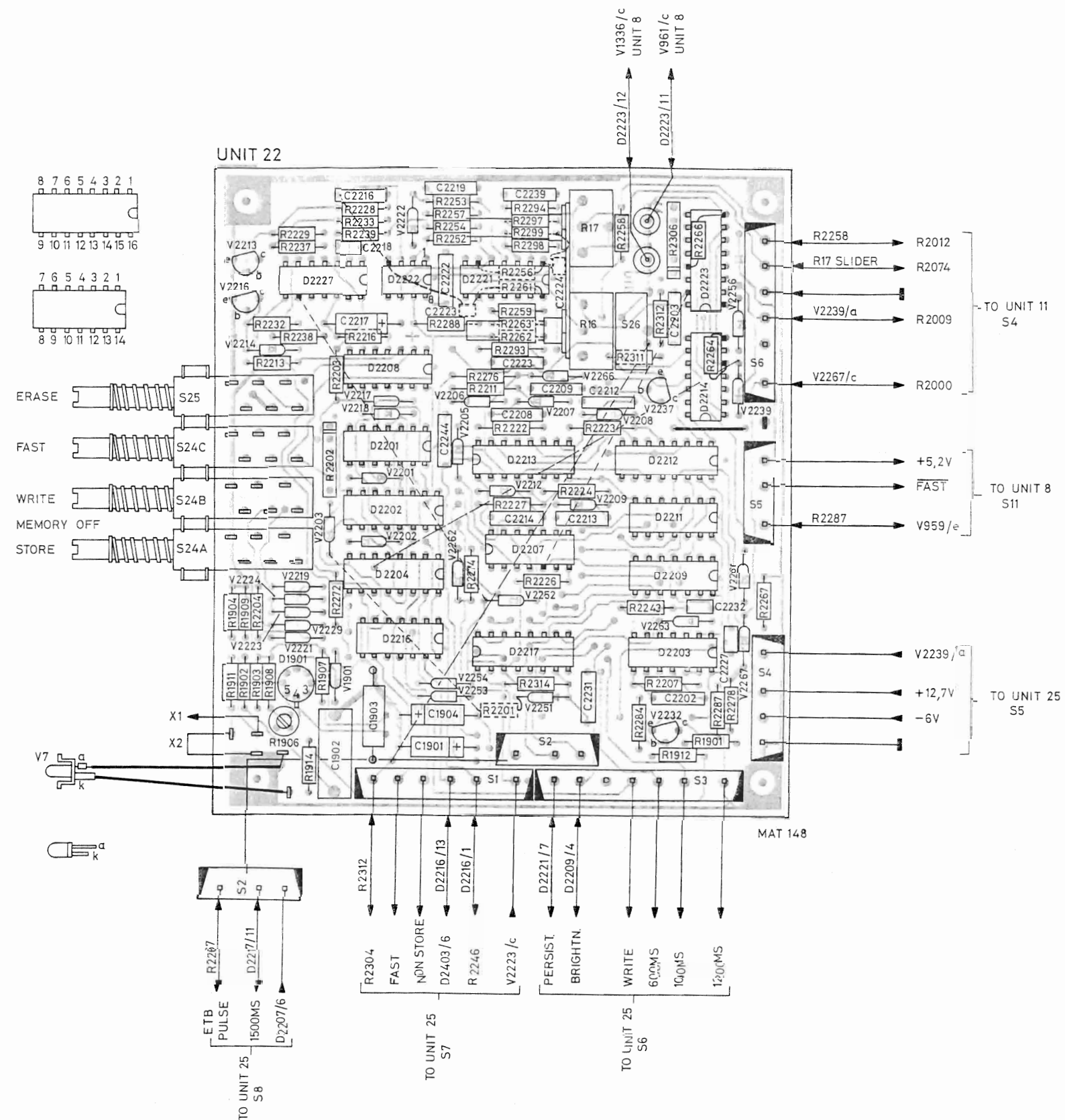


Fig. 12.12. Storage logic (unit 22), lay-out

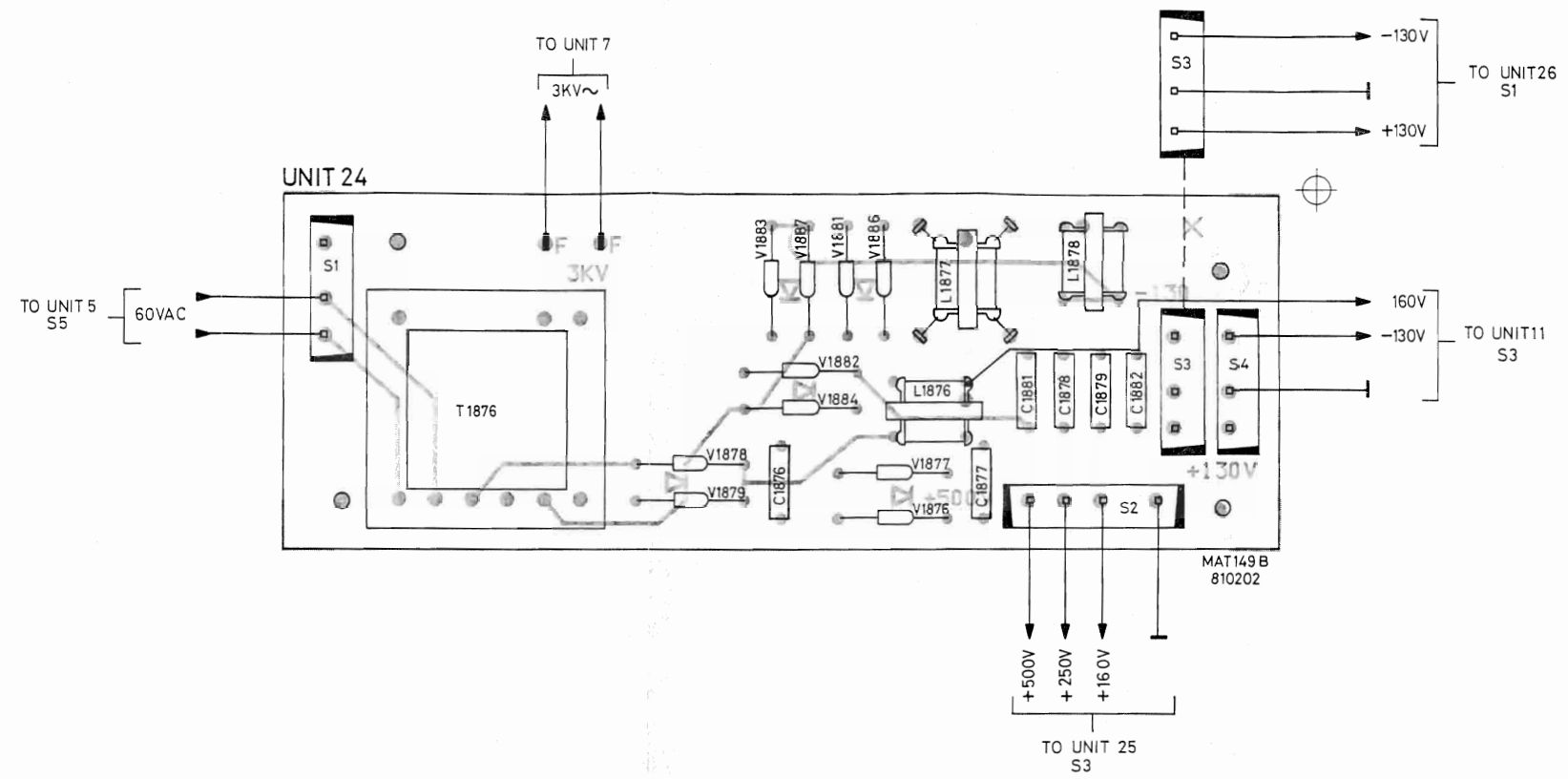


Fig. 12.13. Additional power supply (unit 24), lay-out

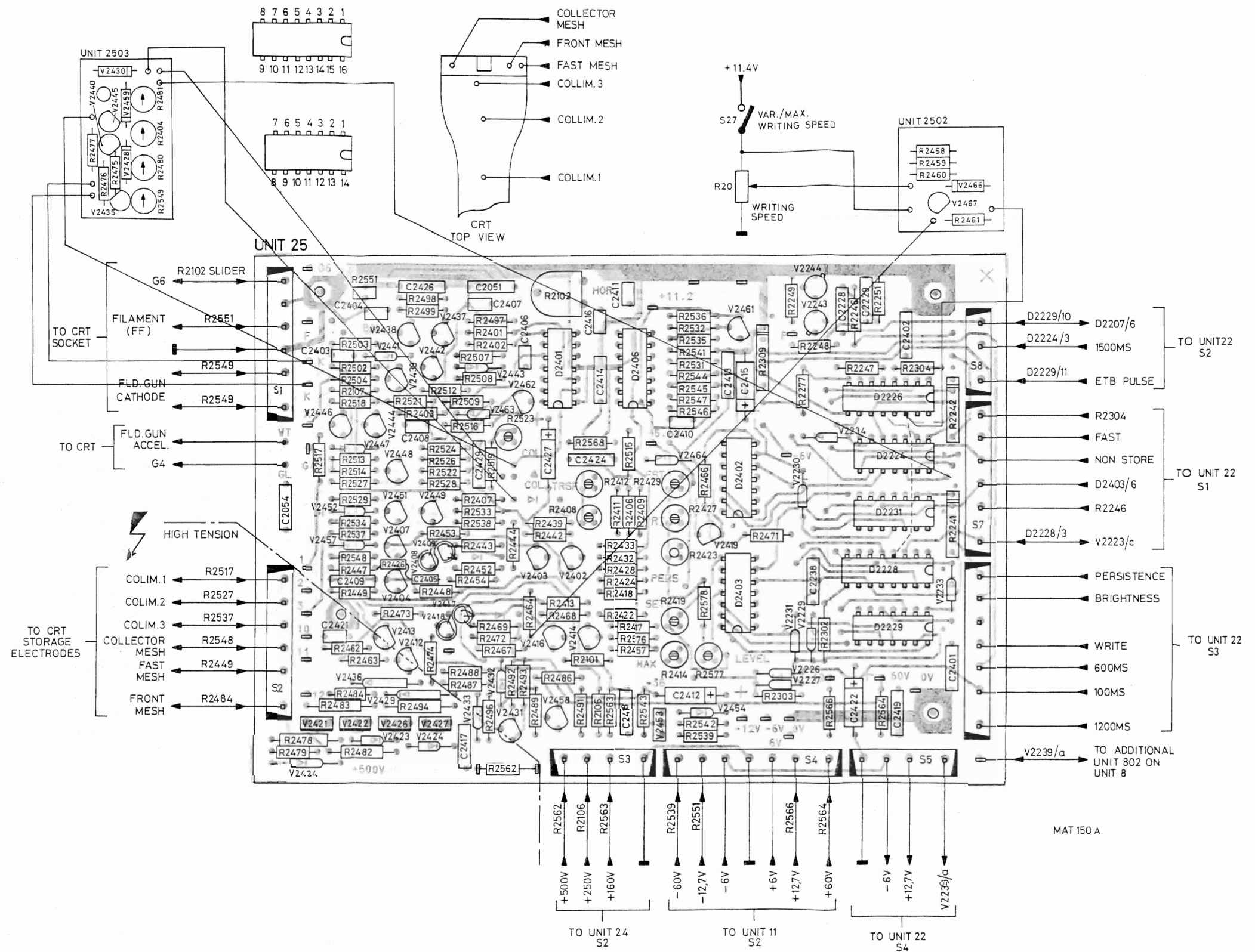


Fig. 12.14. Storage amplifier (unit 25), lay-out

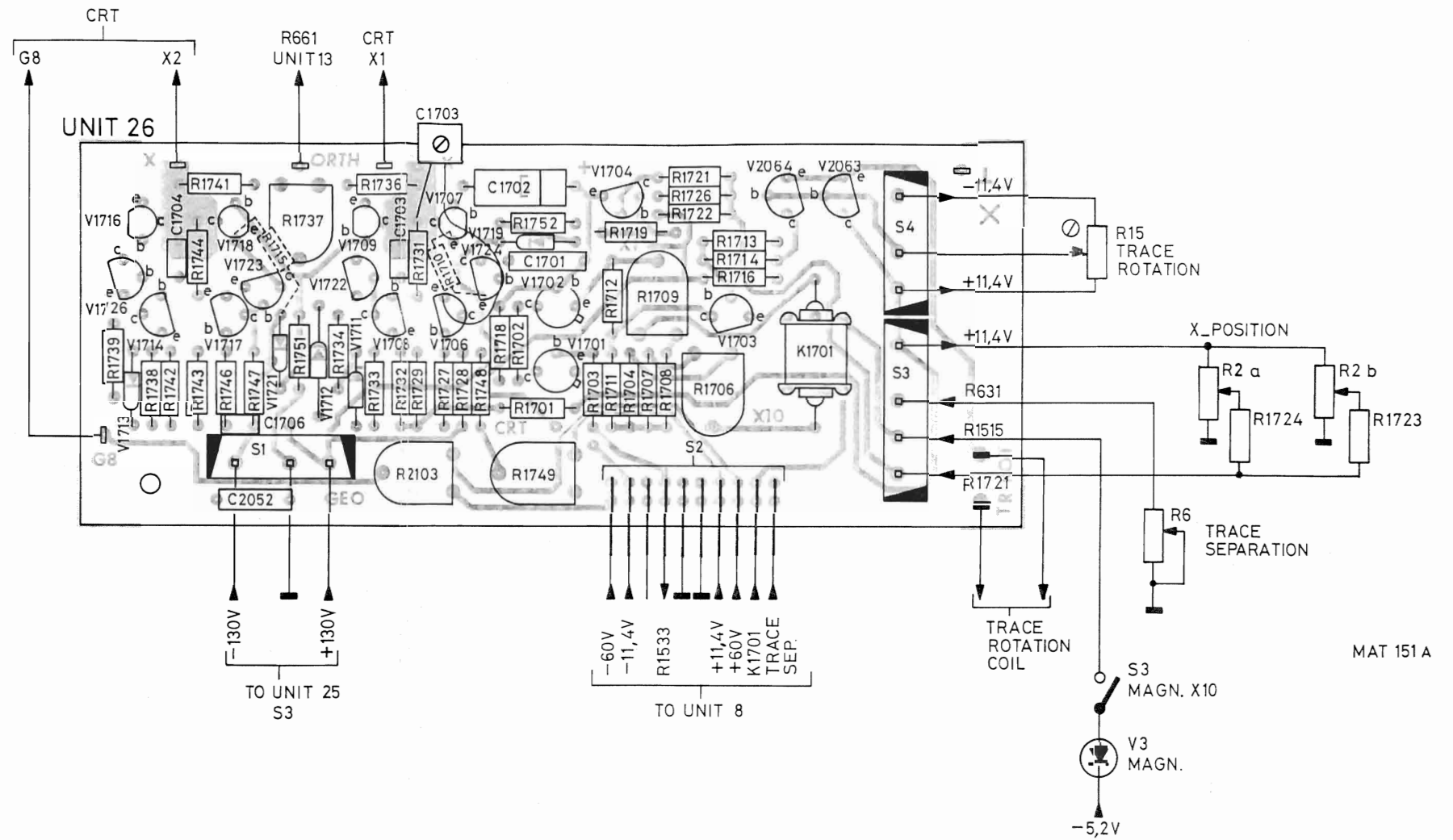
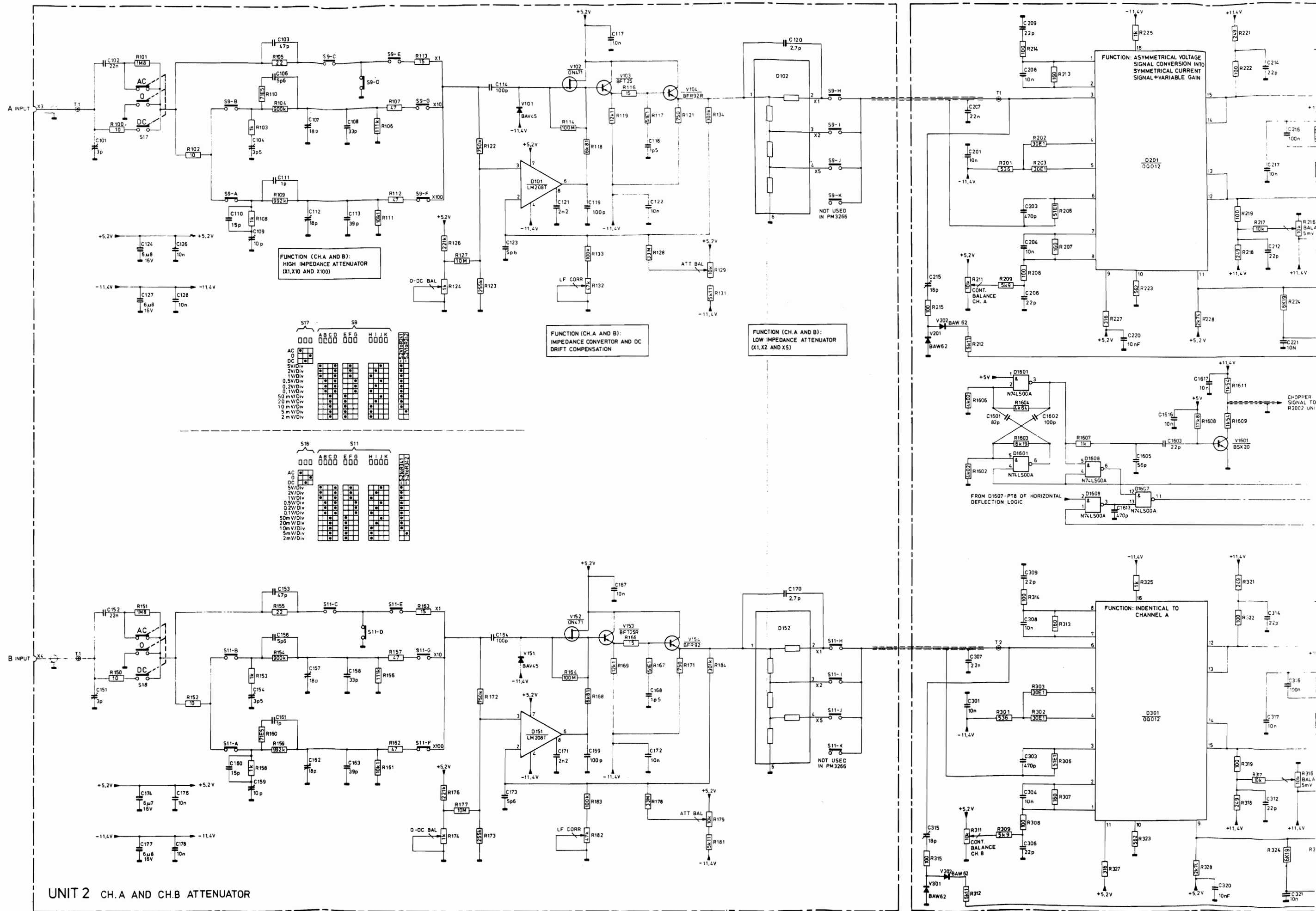
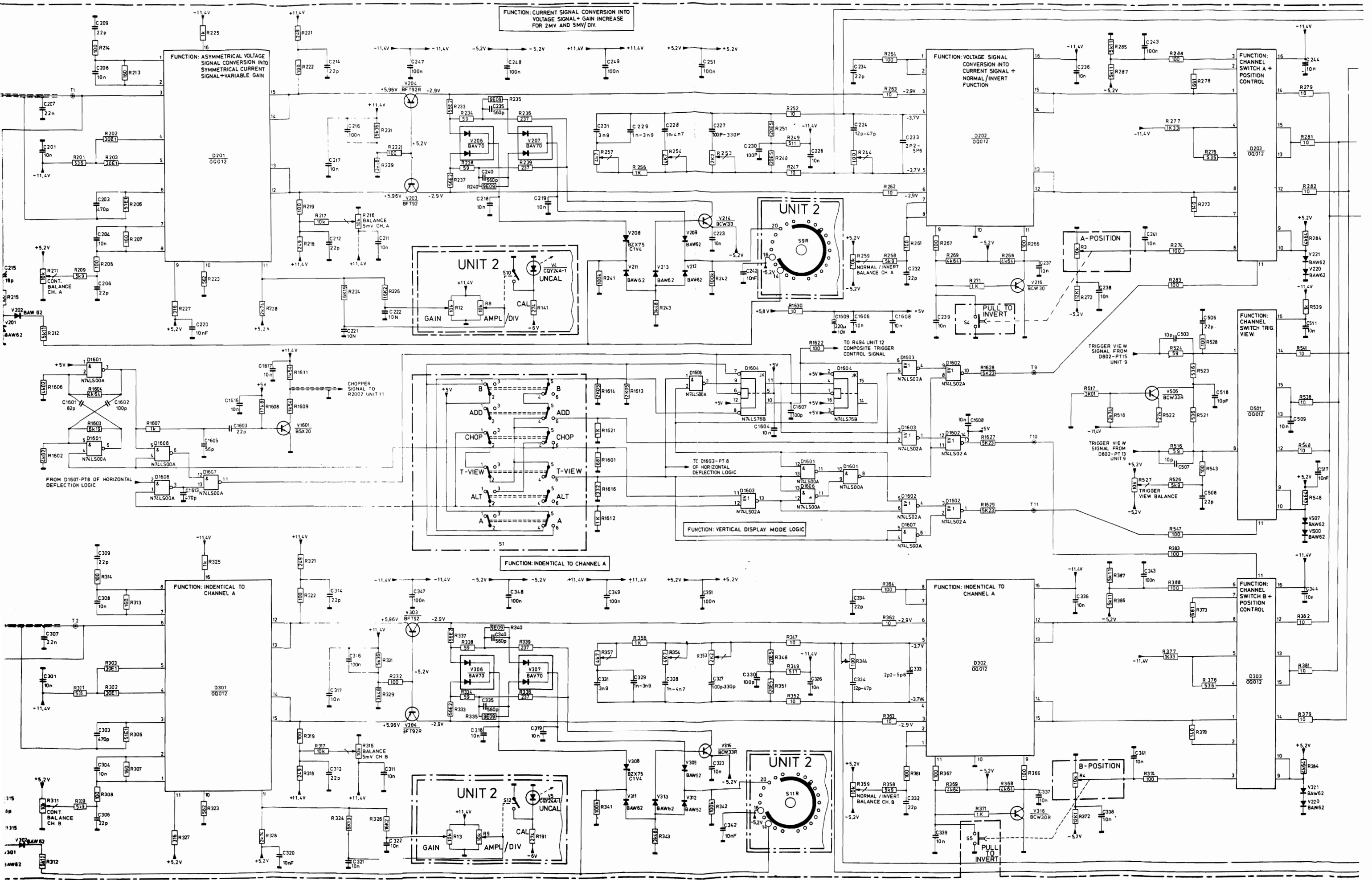


Fig. 12.15. Final X-amplifier (unit 26), lay-out







FUNCTION: CURRENT SIGNAL CONVERSION INTO VOLTAGE SIGNAL + GAIN INCREASE FOR 2MV AND 5MV/DIV

FUNCTION: ASYMMETRICAL VOLTAGE SIGNAL CONVERSION INTO SYMMETRICAL CURRENT SIGNAL + VARIABLE GAIN

FUNCTION: VOLTAGE SIGNAL CONVERSION INTO CURRENT SIGNAL + NORMAL/INVERT FUNCTION

FUNCTION: CHANNEL SWITCH A + POSITION CONTROL

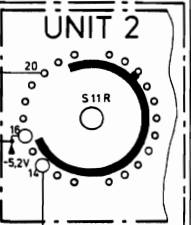
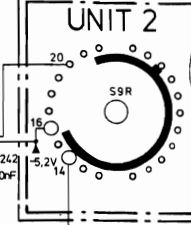
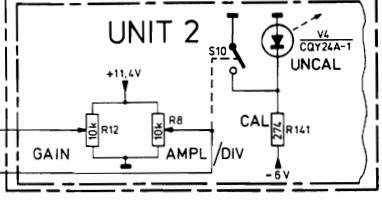
FUNCTION: CHANNEL SWITCH TRIG VIEW

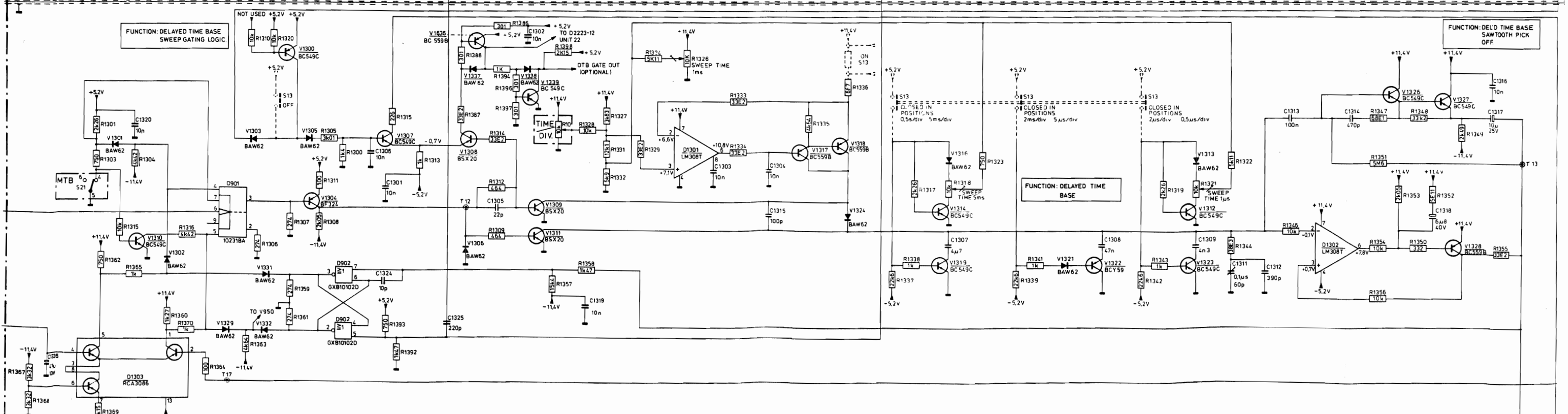
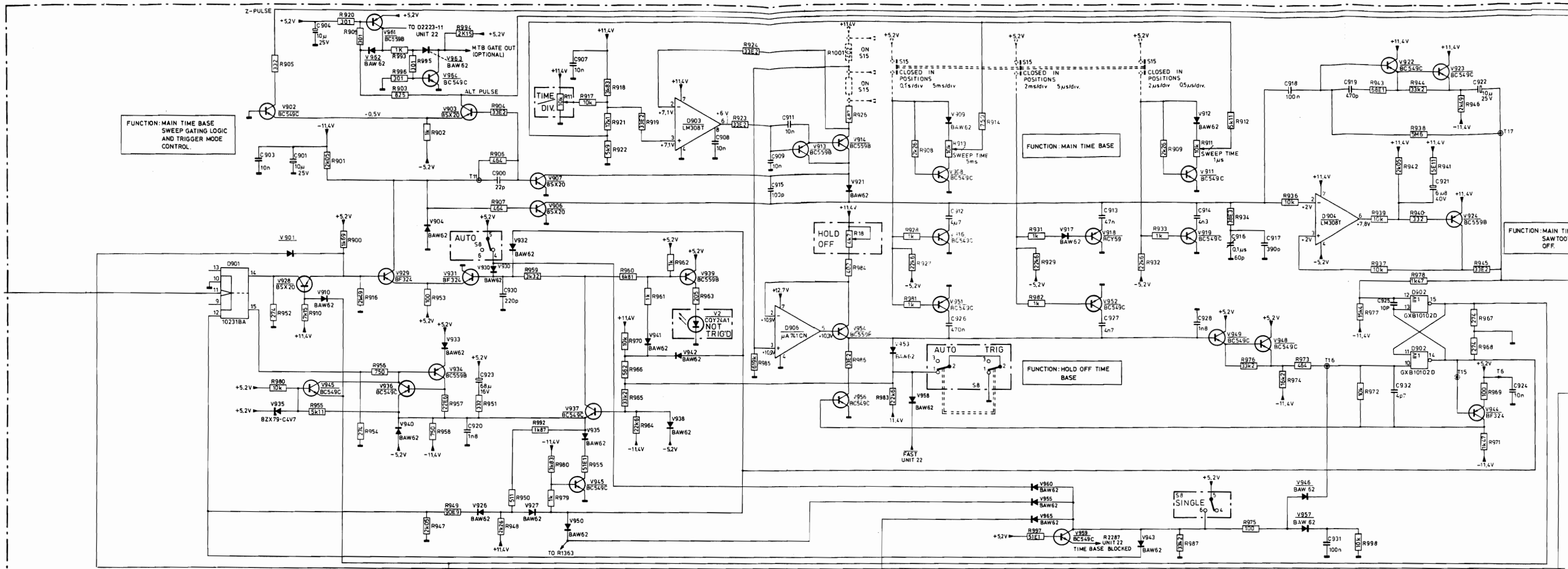
FUNCTION: VERTICAL DISPLAY MODE LOGIC

FUNCTION: IDENTICAL TO CHANNEL A

FUNCTION: IDENTICAL TO CHANNEL A

FUNCTION: CHANNEL SWITCH B + POSITION CONTROL





UNIT 8 MAIN AND DELAYED TIME-BASE UNIT

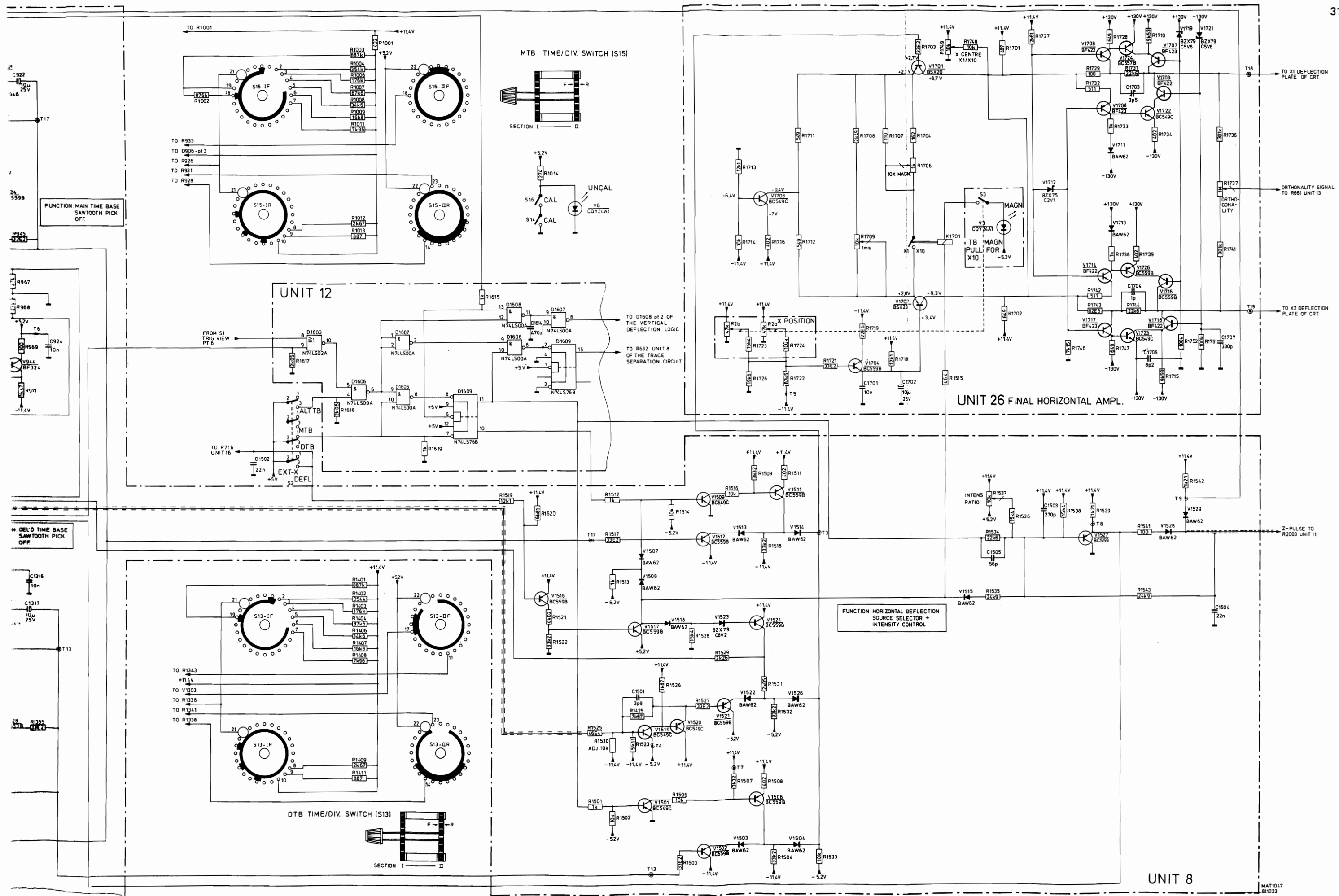
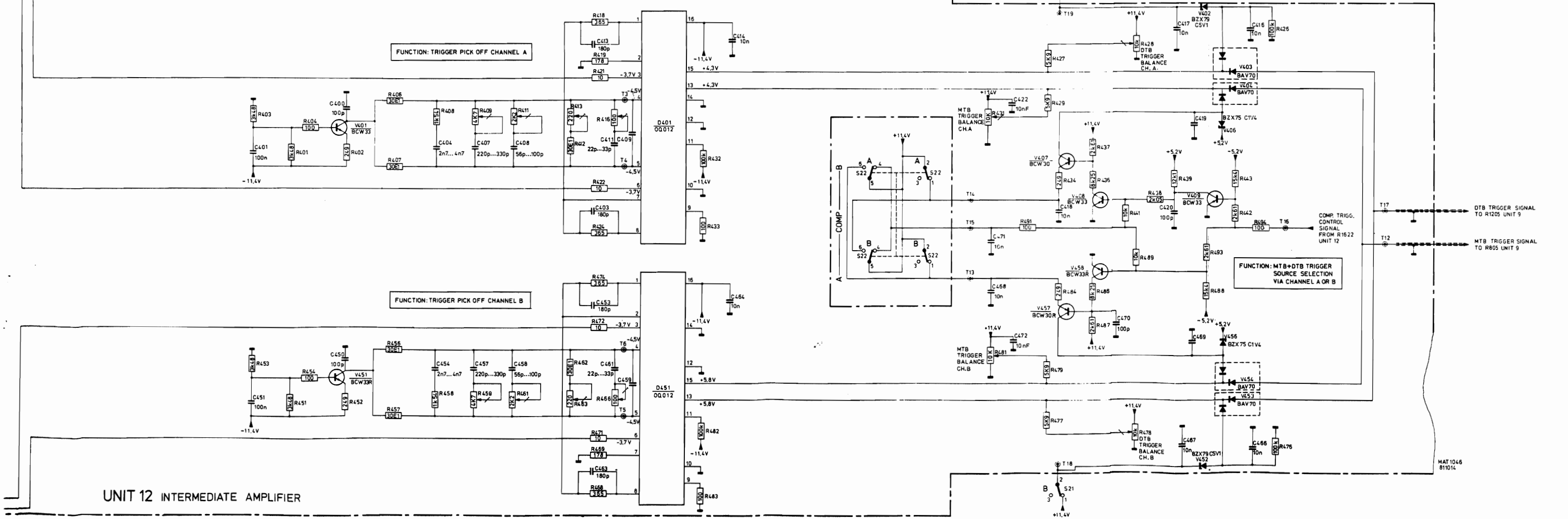
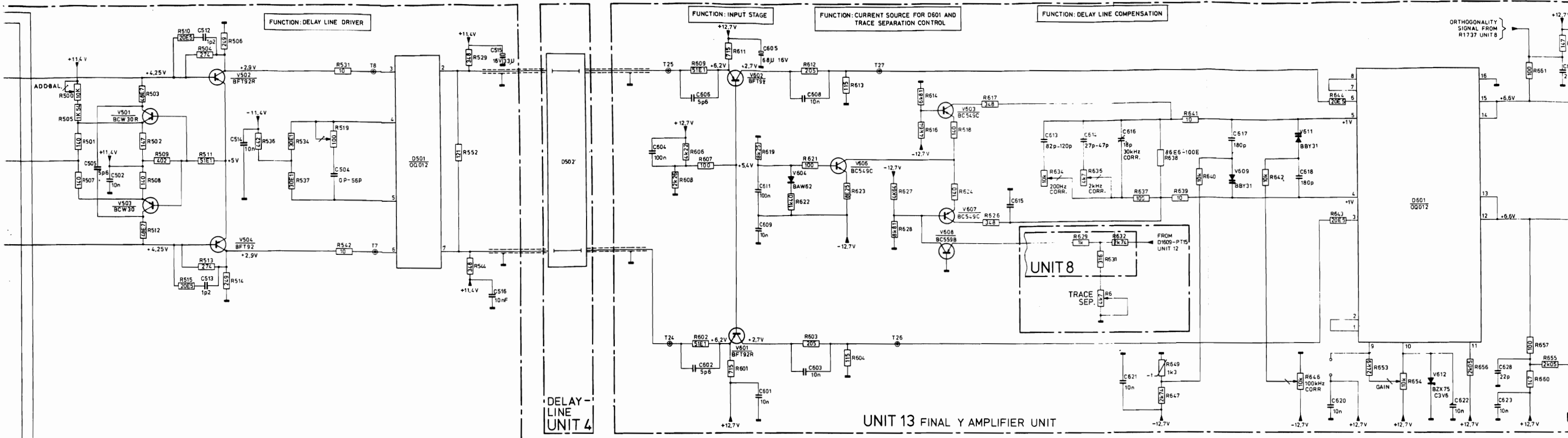


Fig. 12.18. Horizontal deflection, circuit diagram

MAT1047  
811023



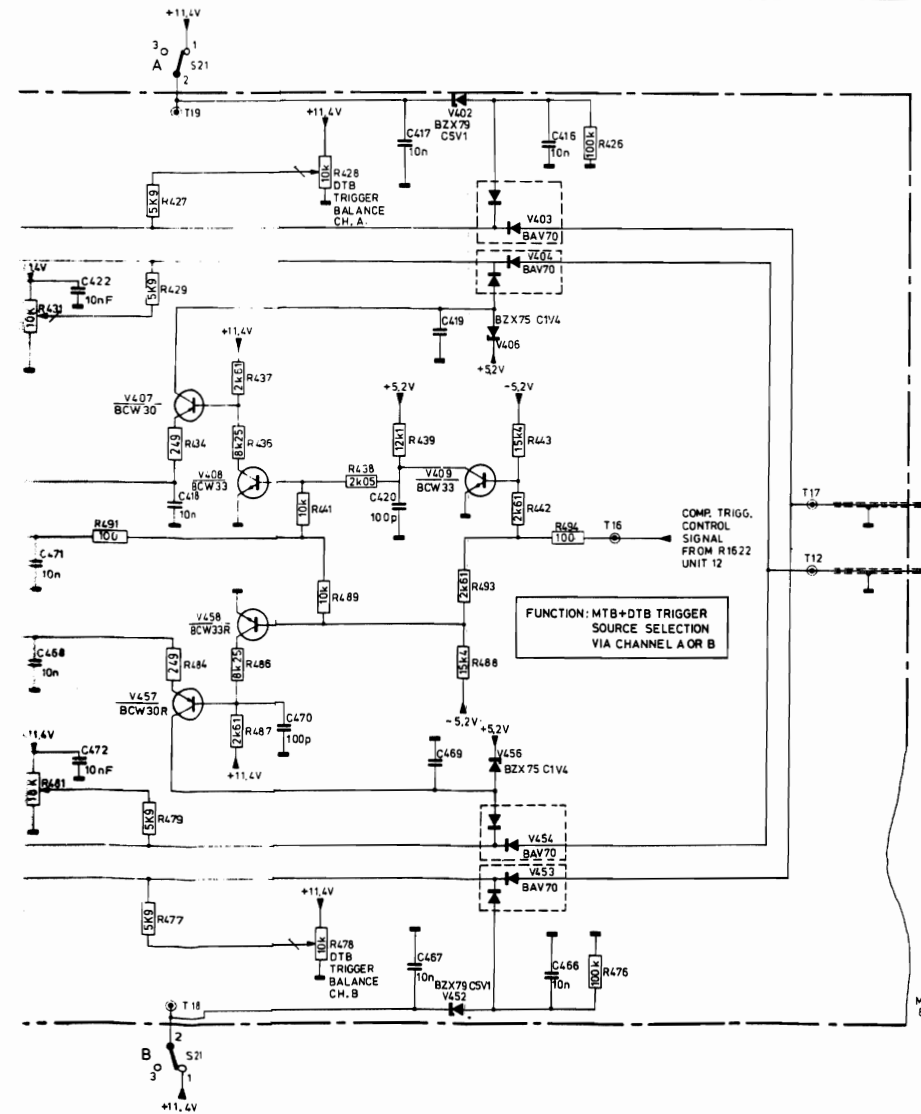
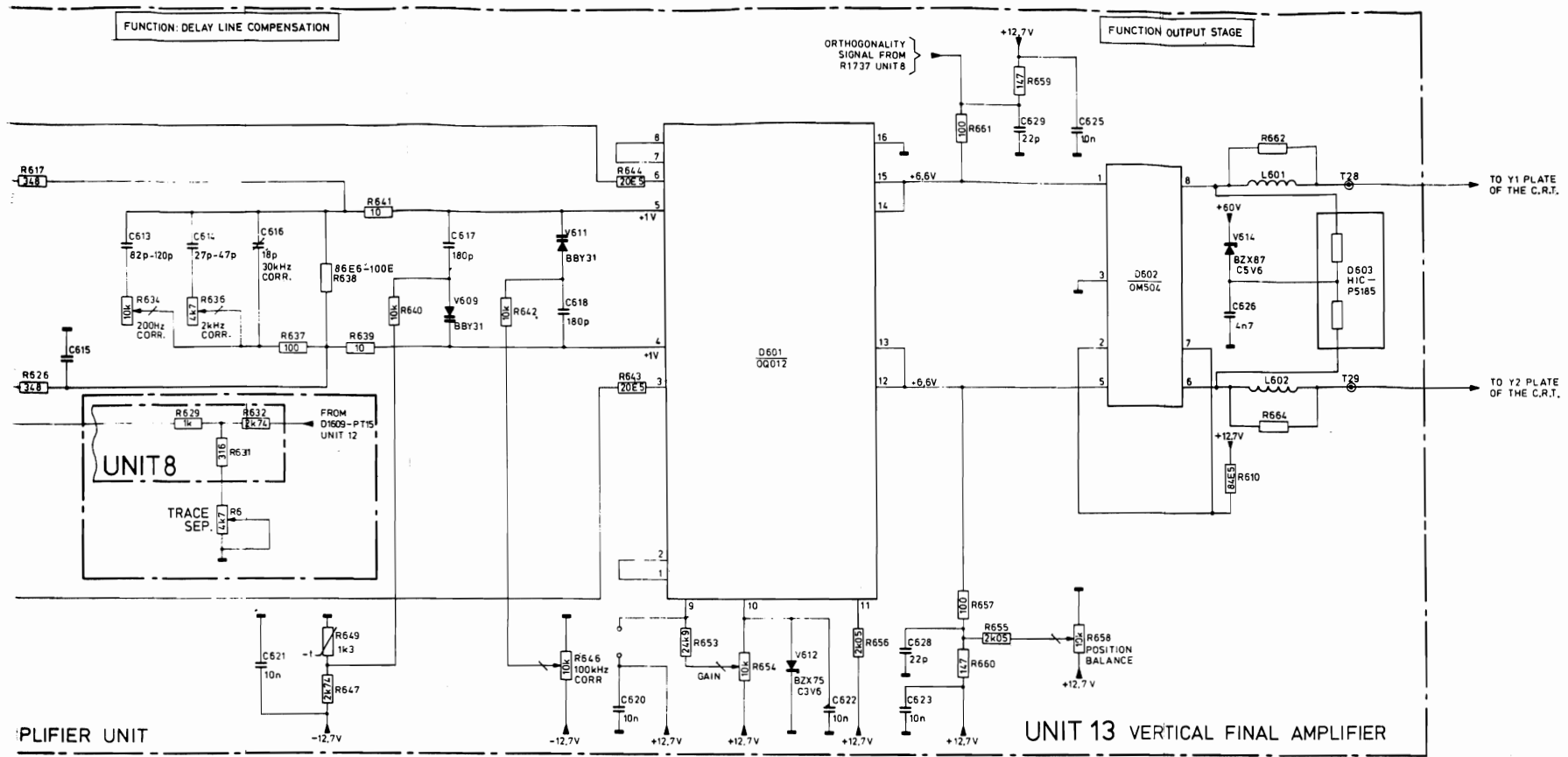
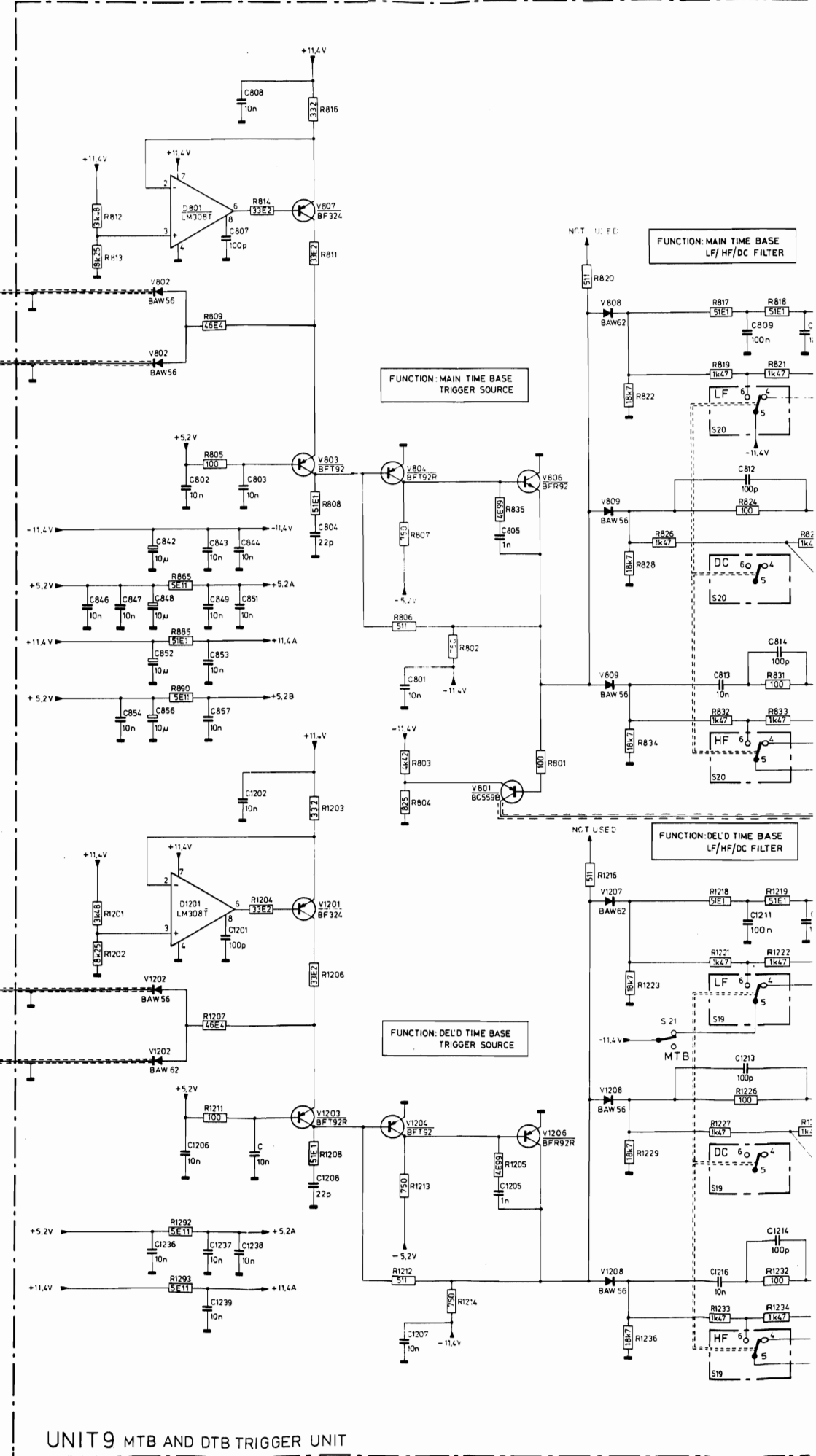
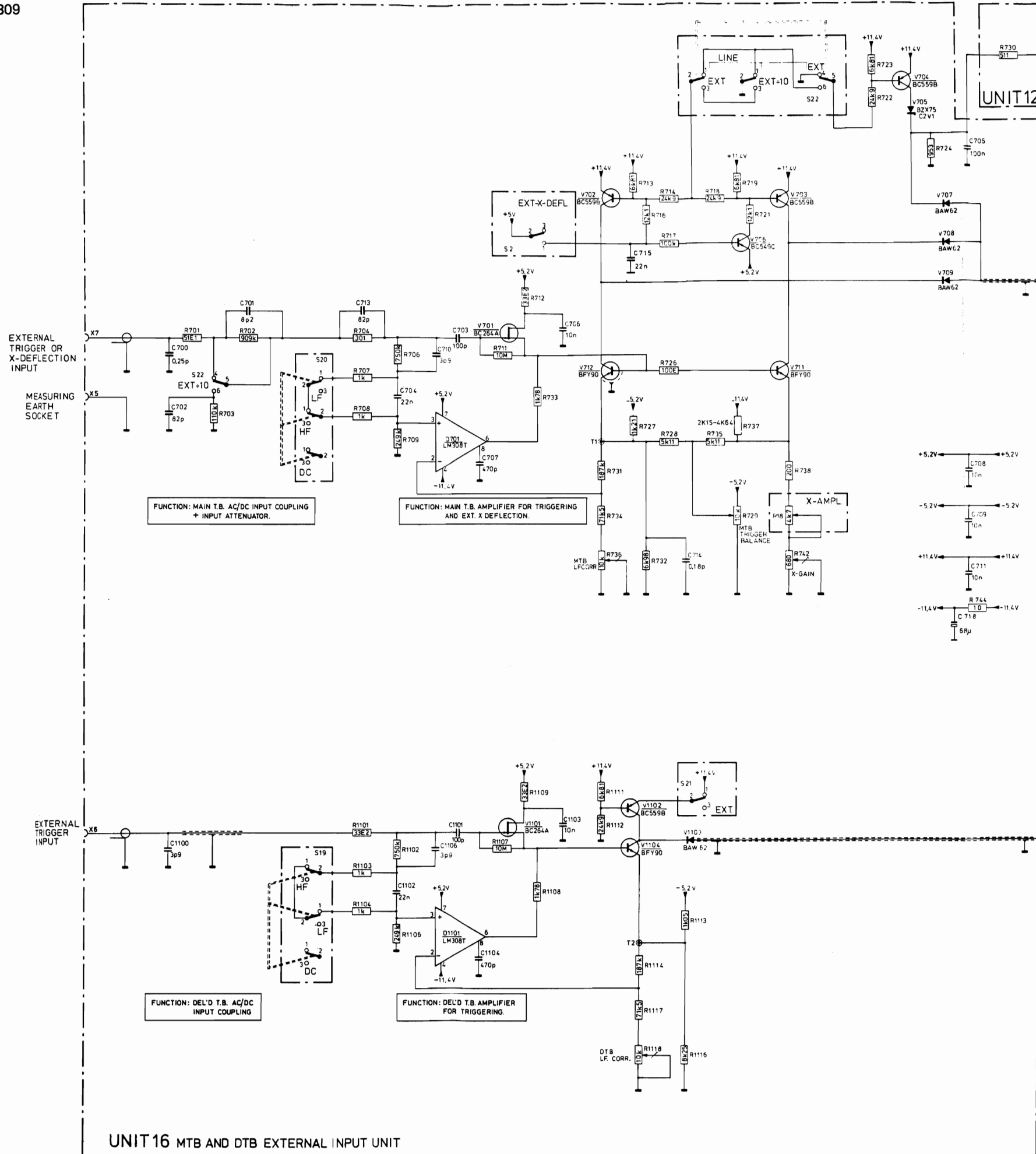


Fig. 12.17. Vertical channels, circuit diagram

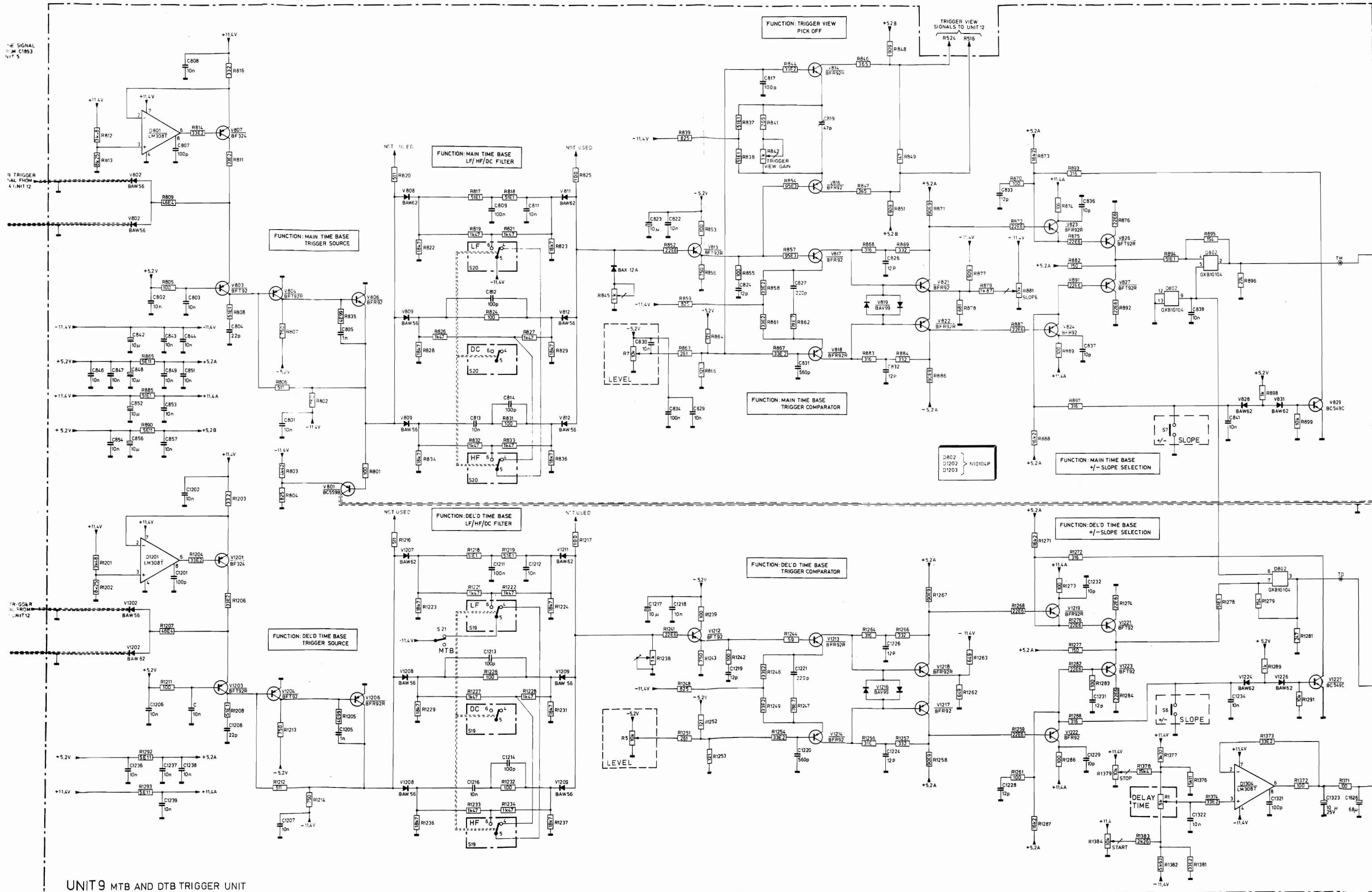


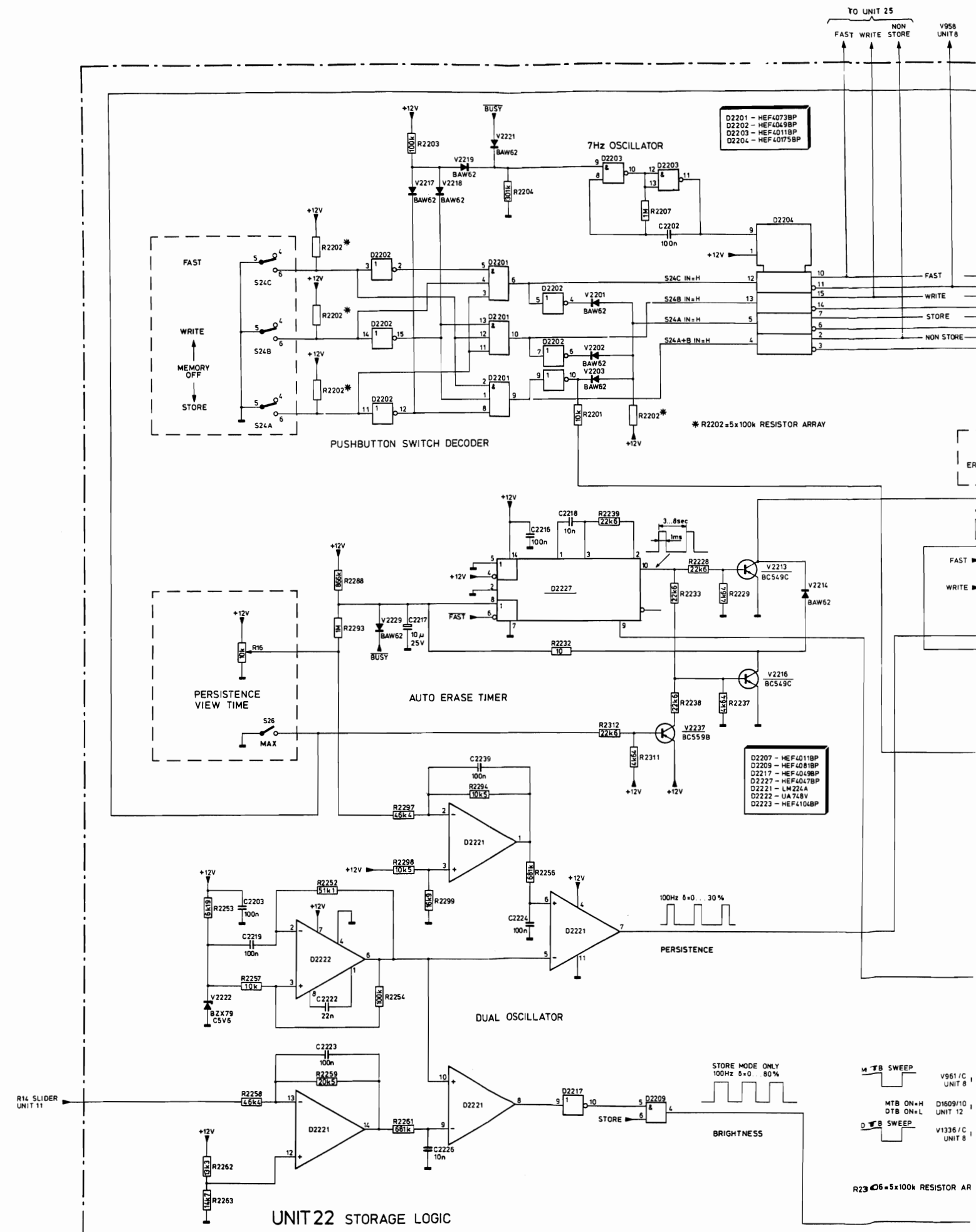
THE SIGNAL FROM UNIT 12

TRIGGER SIGNAL FROM UNIT 12

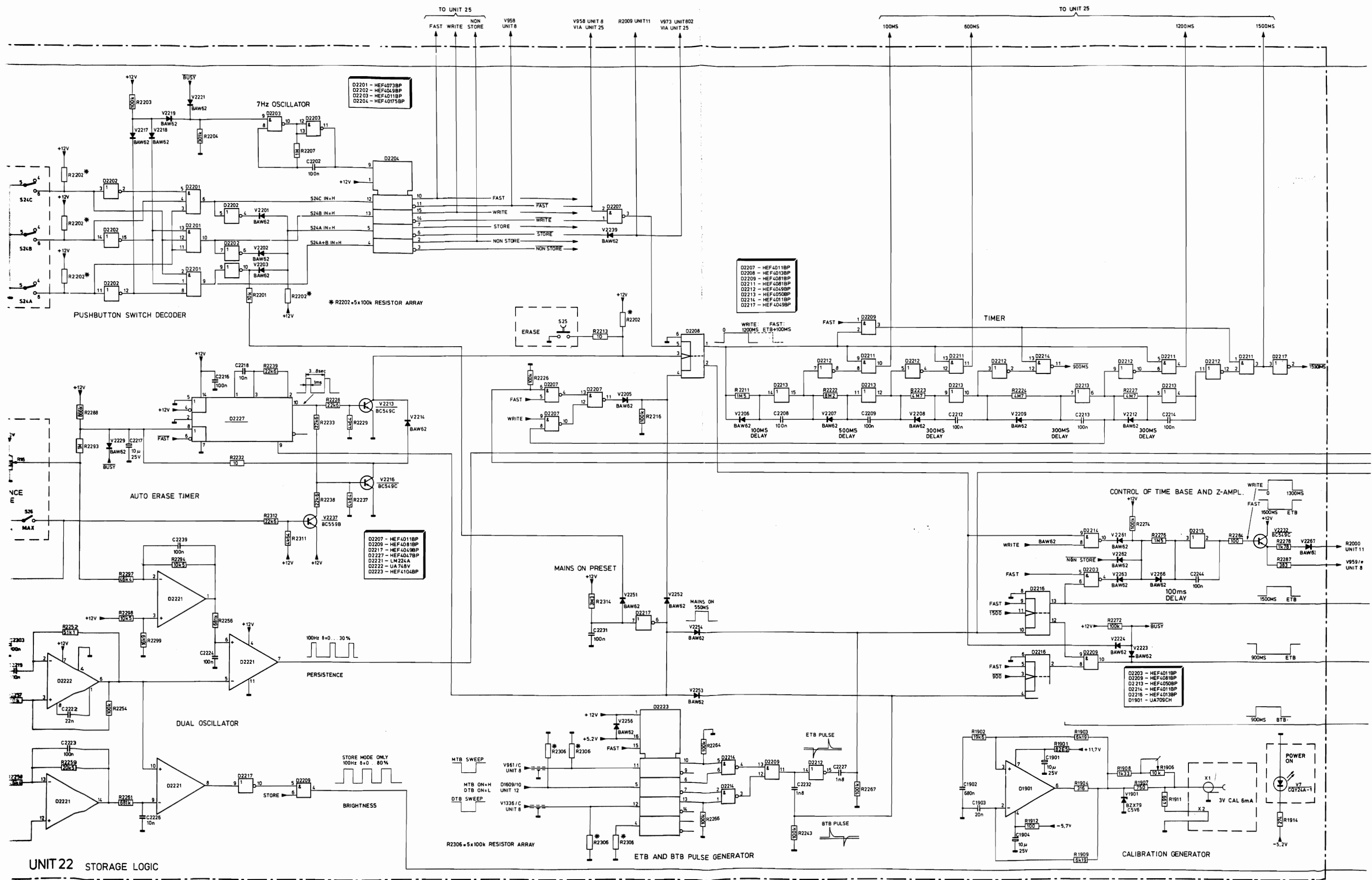
TRIGGER SIGNAL FROM UNIT 12

UNIT 9 MTB AND DTB TRIGGER UNIT

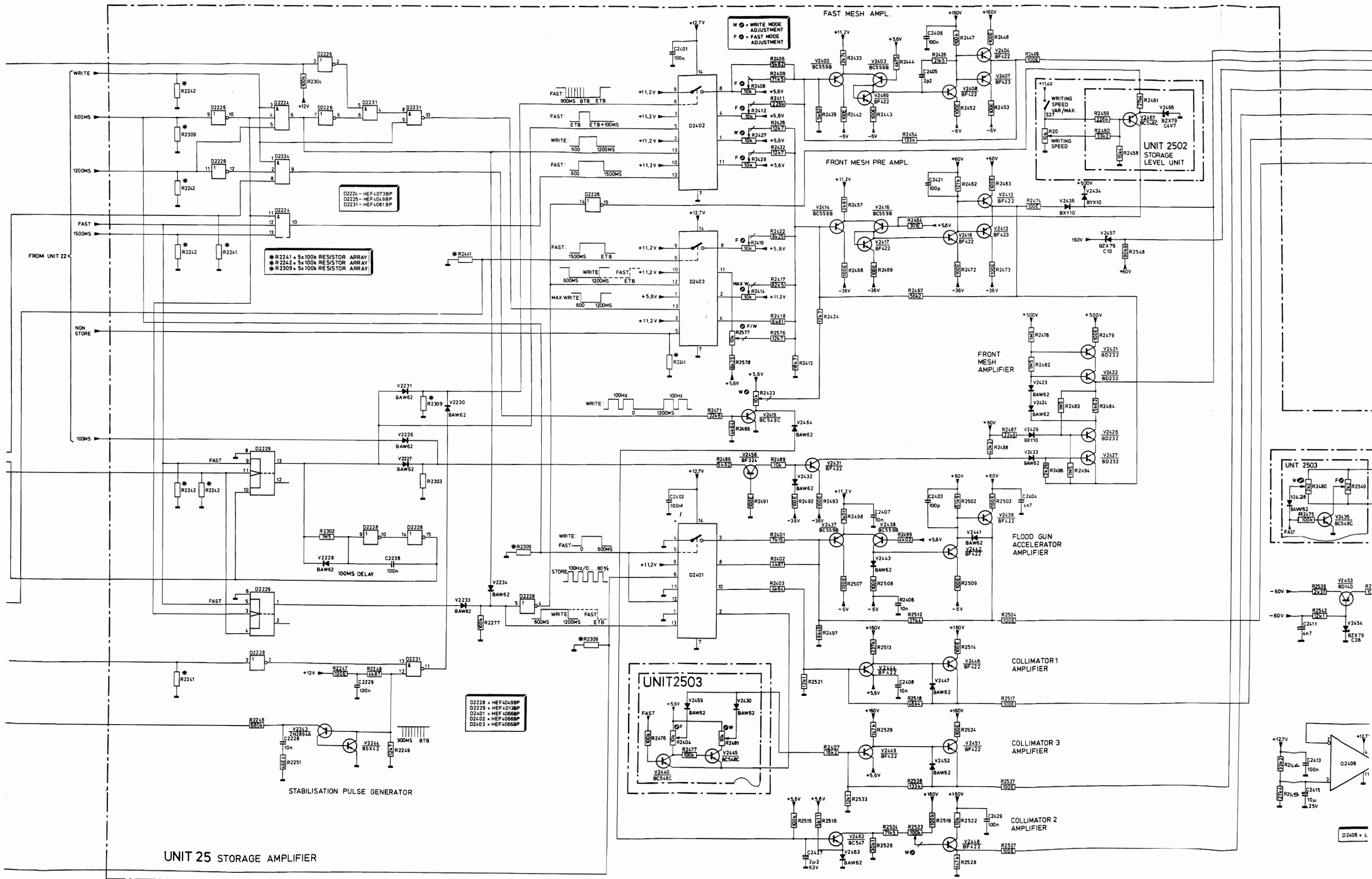








UNIT 22 STORAGE LOGIC



D2408 = L

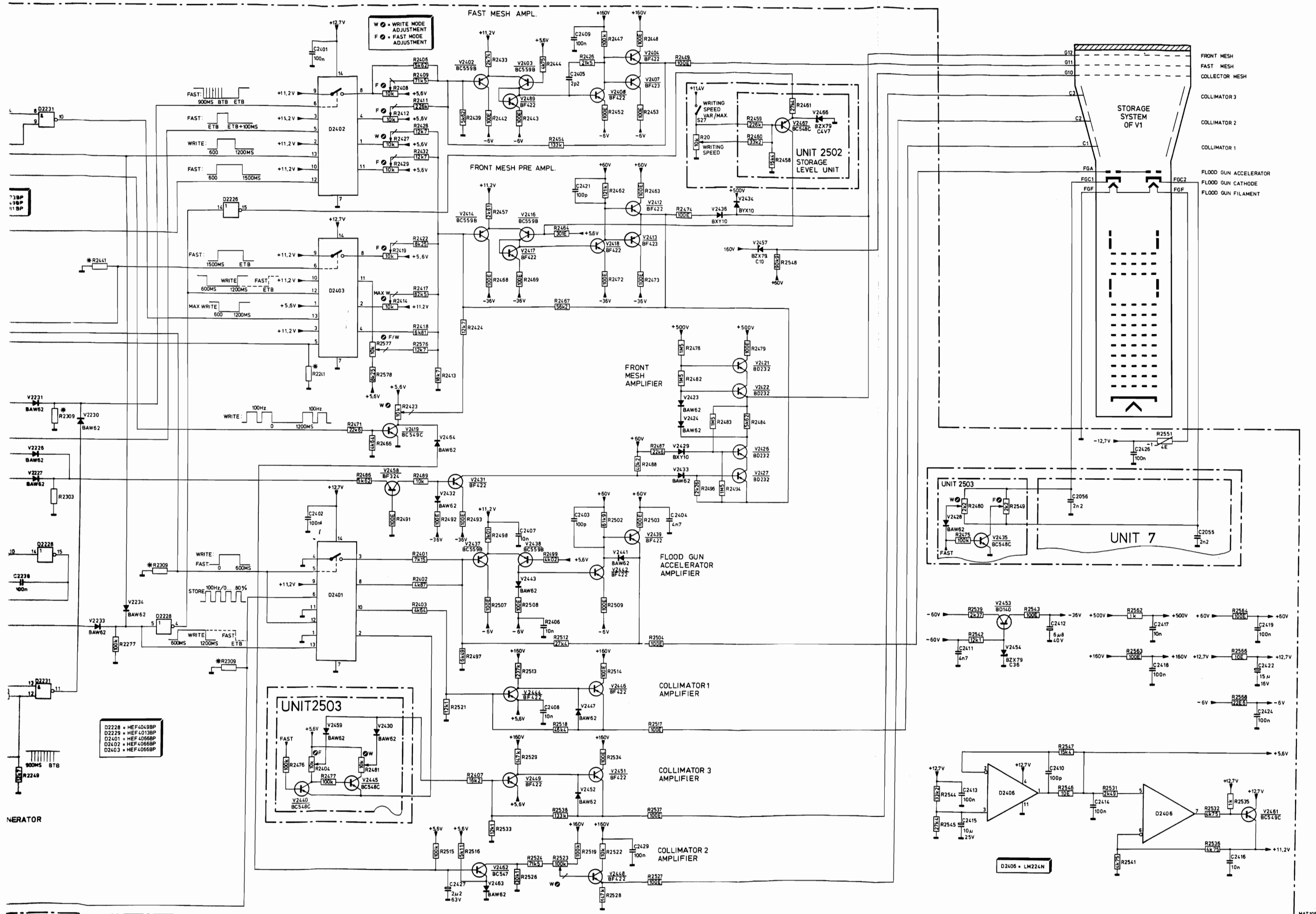
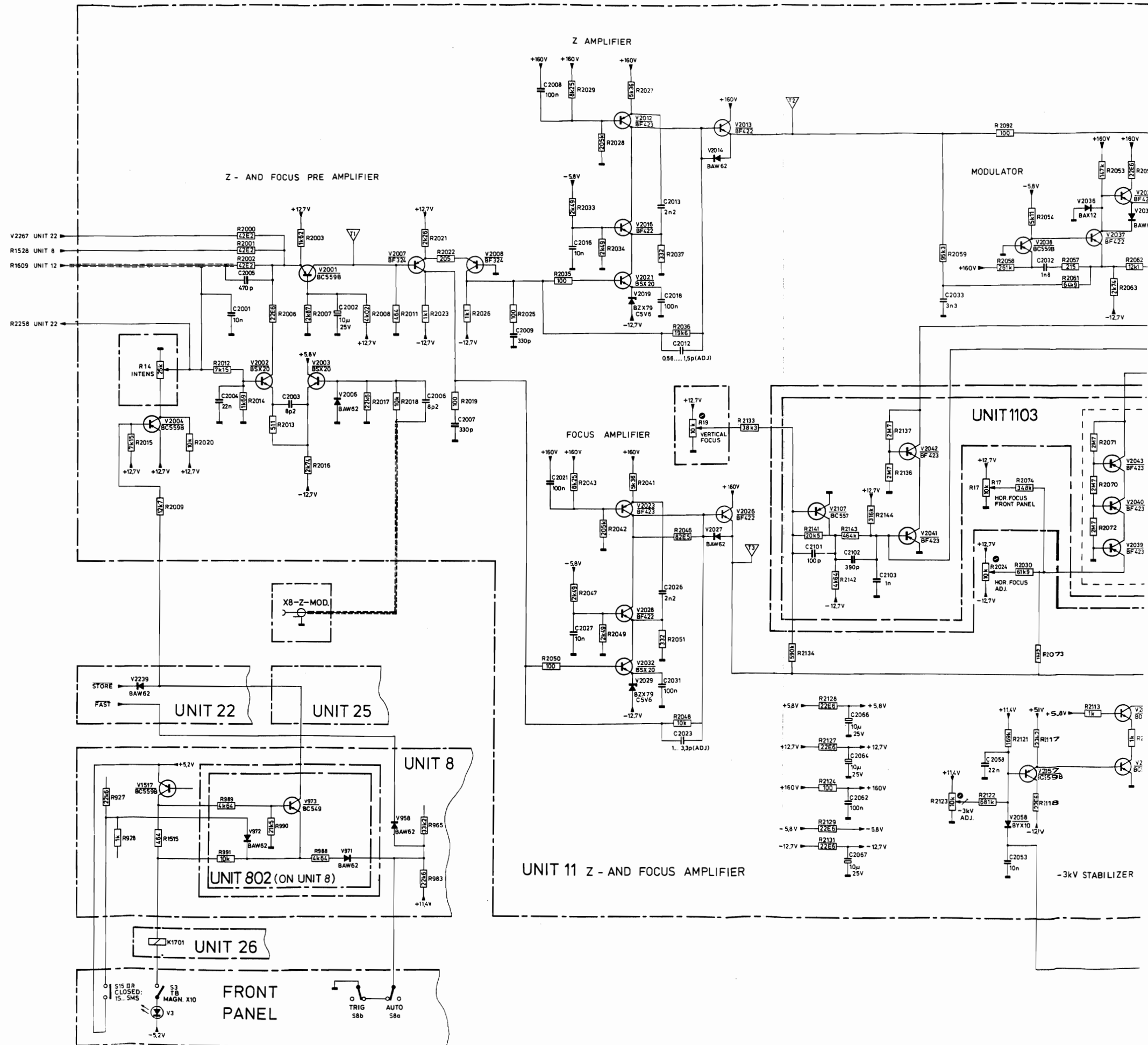
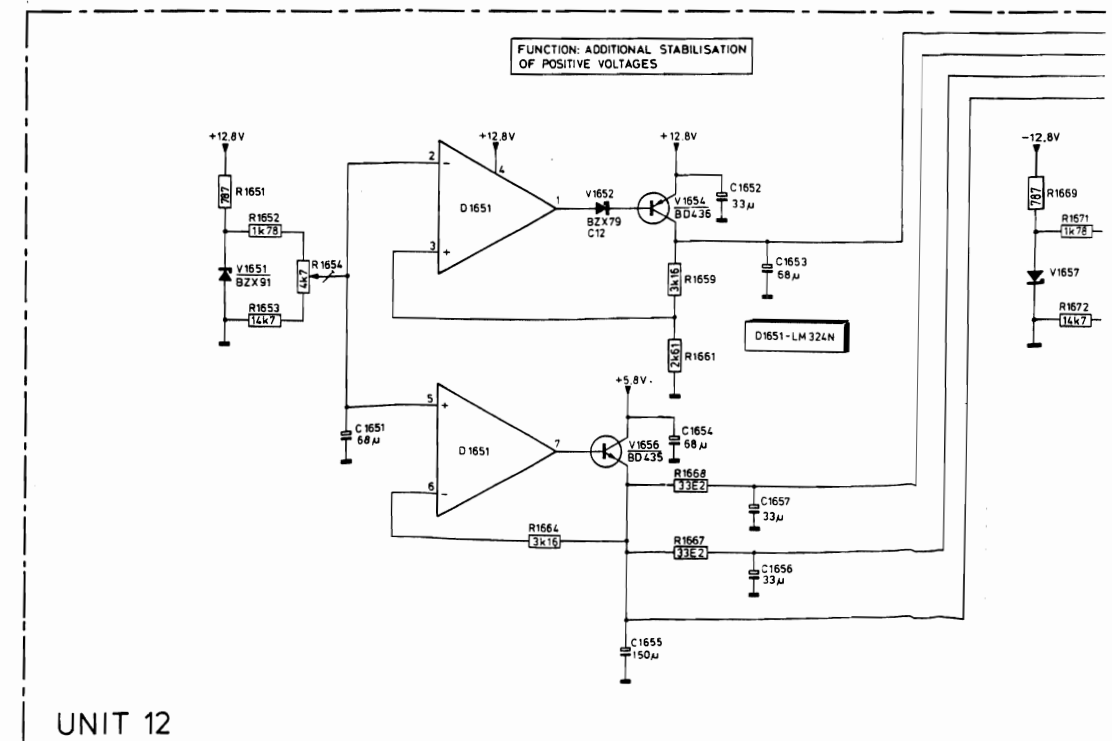
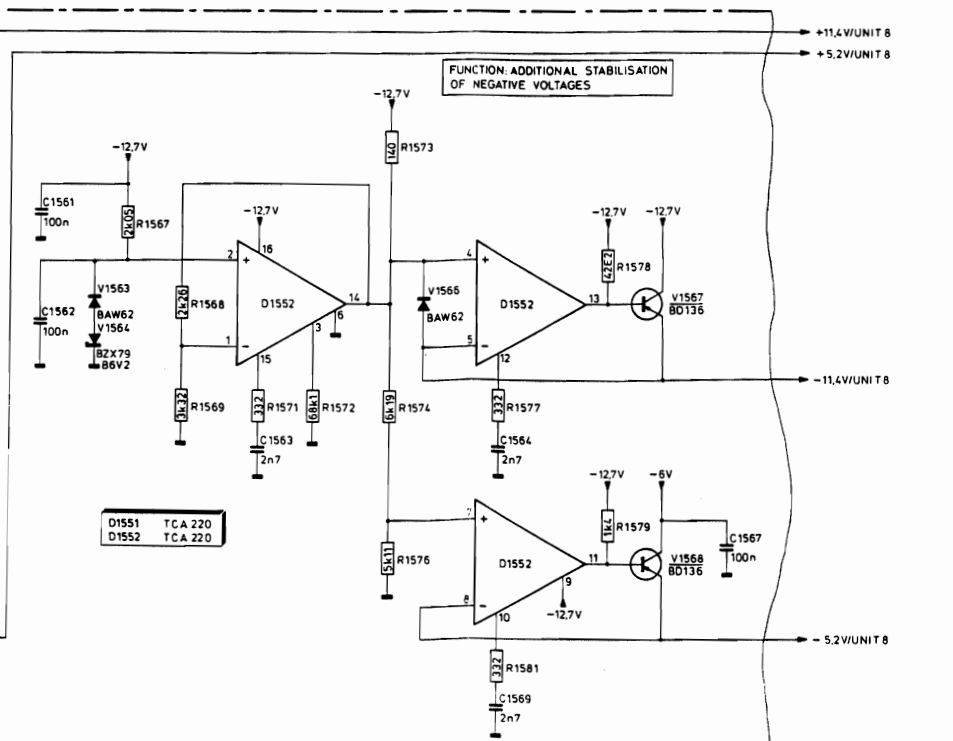
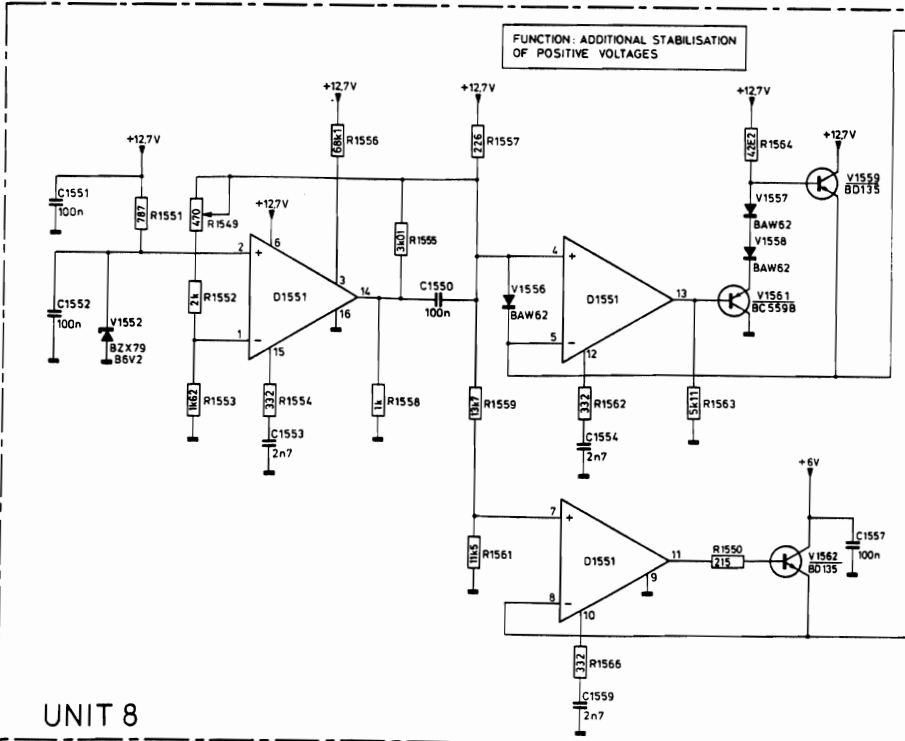
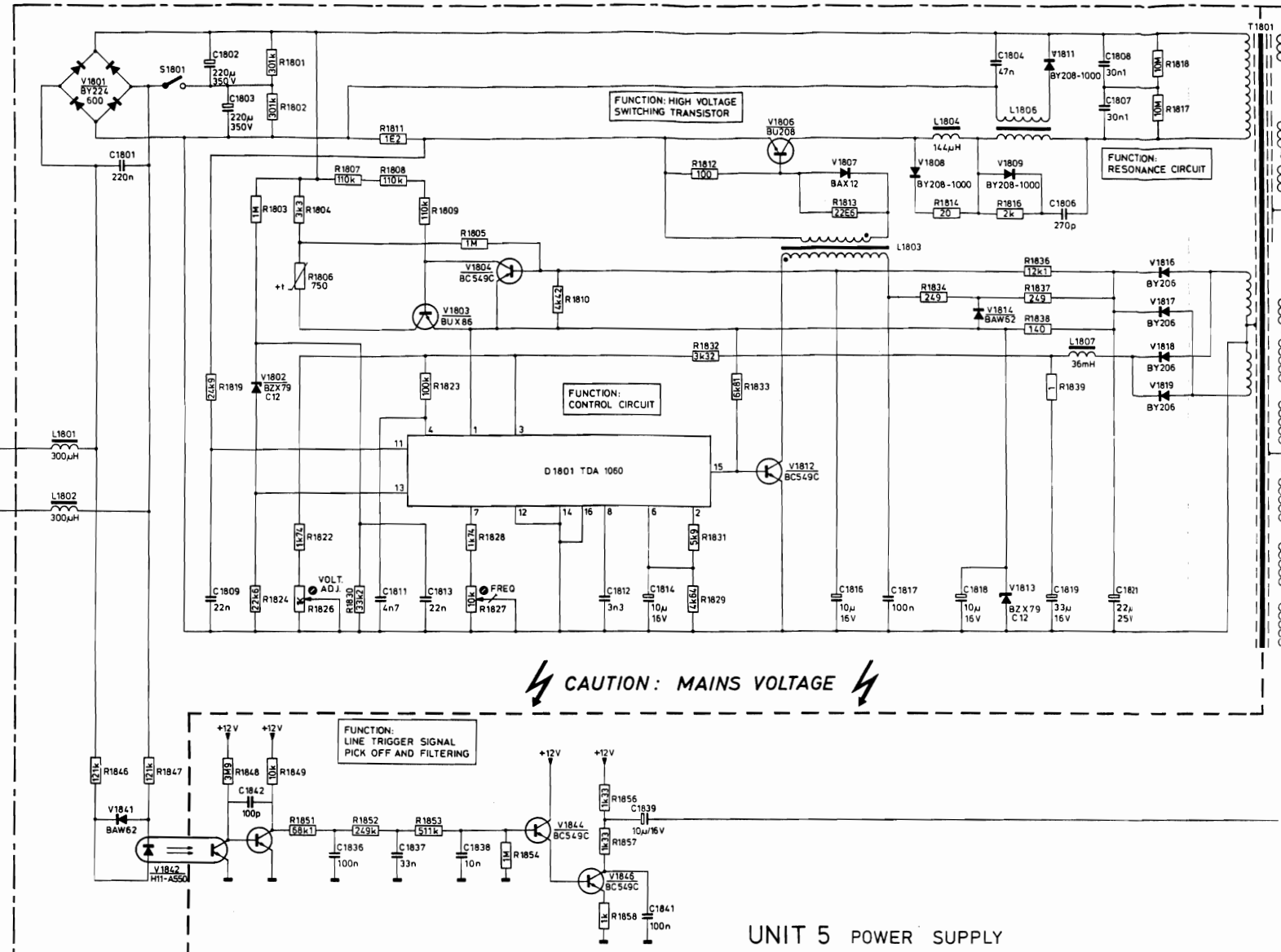
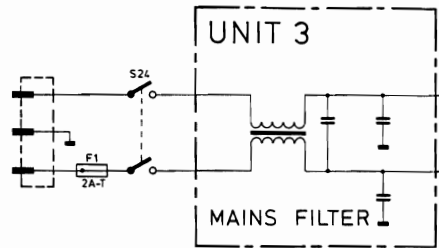
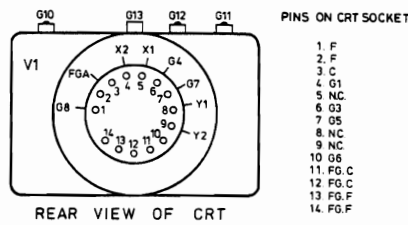
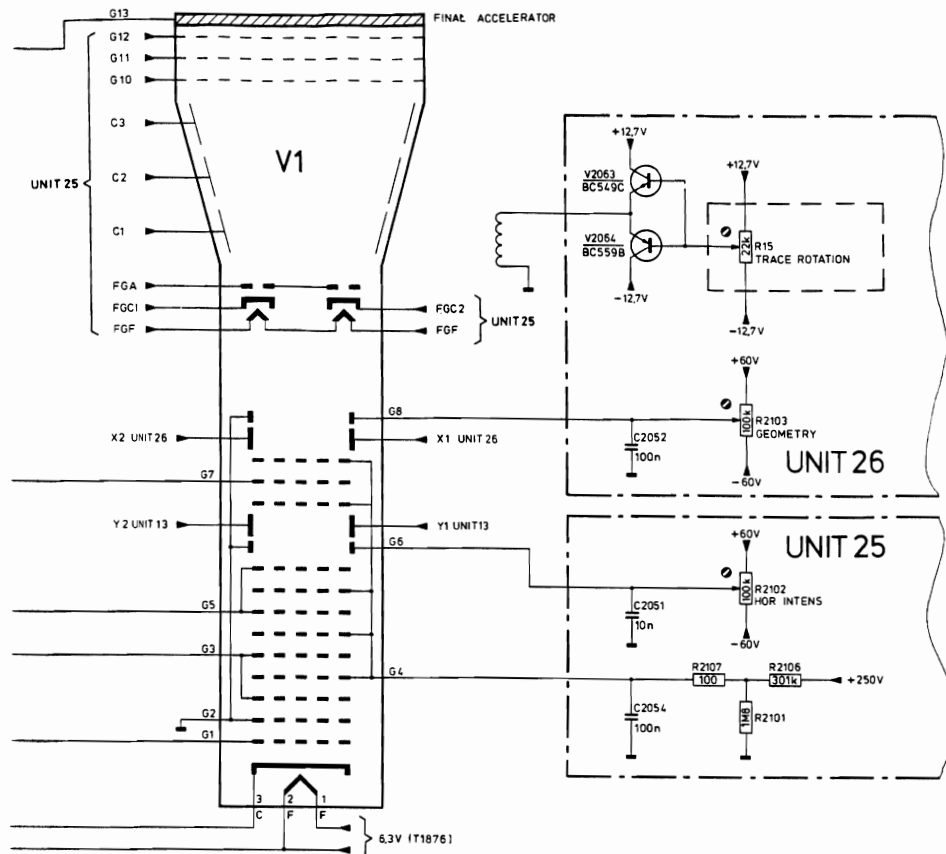


Fig. 12.19. Storage system, circuit diagram

MAT 105A  
81109







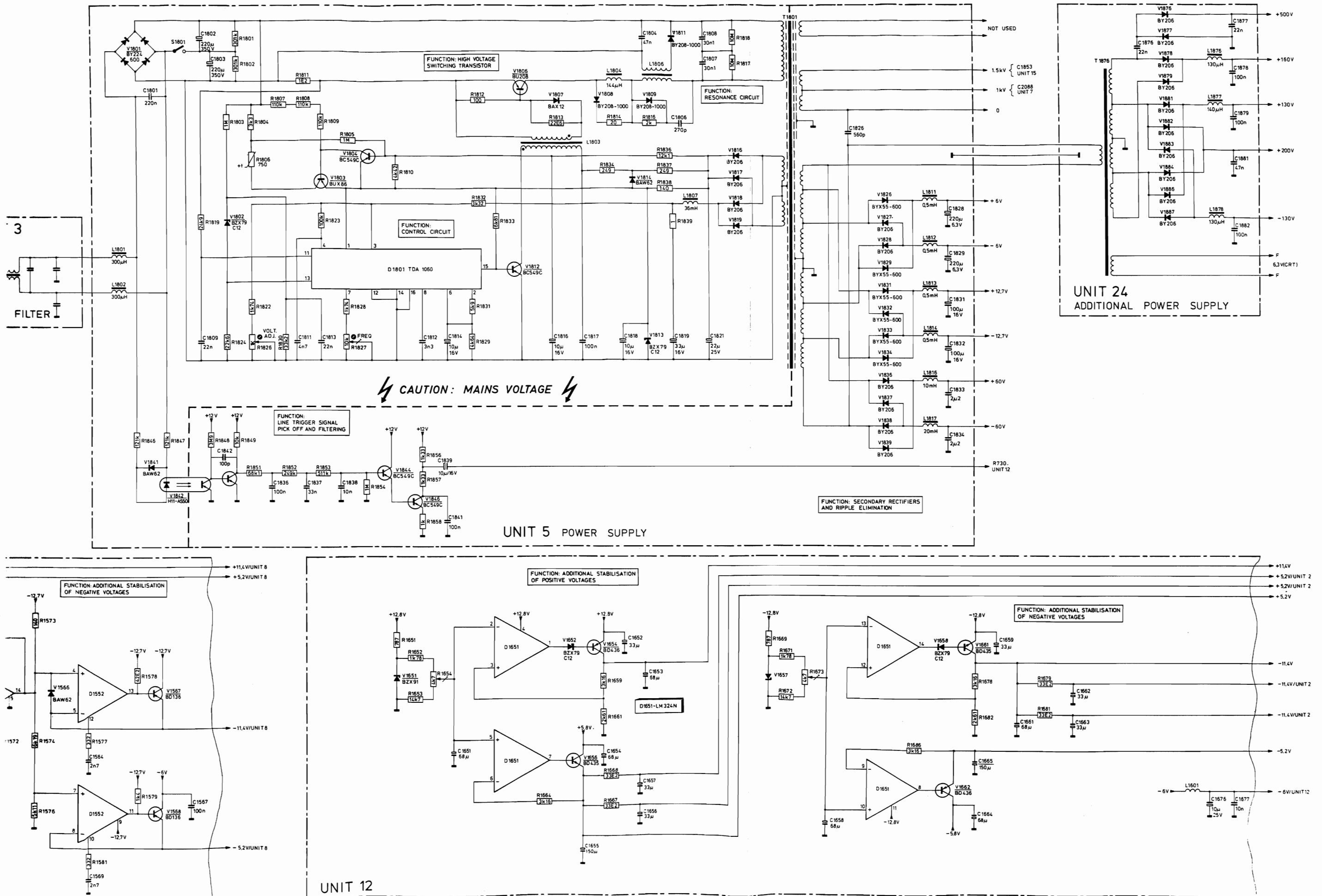


Fig. 12.20. Z-amplifier, focus and power supply, circuit diagram